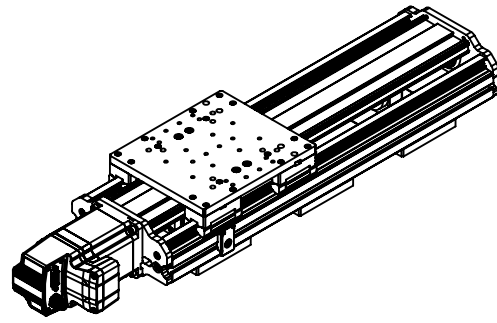


ZABER

LRUH18-E01T11A Motorized Stage
dimensions in mm



Model Number*	Travel	A	B	C	nxCM
LRU0250H18-E01T11A	250.0	780.6	600.0	90.2	3
LRU0500H18-E01T11A	500.0	1030.6	900.0	122.9	4
LRU1000H18-E01T11A	1000.0	1530.6	1350.0	125.1	6
LRU1500H18-E01T11A	1500.0	2030.6	1850.0	131.8	8
LRU2000H18-E01T11A	2000.0	2530.6	2350.0	111.8	11

