

LRQ600HL-E01T3A Datasheet



- 75, 150, 300, 450, 600 mm travel
- Up to 840 mm/s speed and up to 500 N thrust
- 100 kg load capacity
- Inline and parallel drive configurations
- Encoder position feedback with slip/stall detection and automatic recovery
- Ball screw and lead screw configurations
- Designed for use with an X-MCC Series stepper motor controller or any 2-phase stepper motor controller
- With AutoDetect, the X-MCC controller configures its settings automatically for the connected peripheral
- Custom versions available

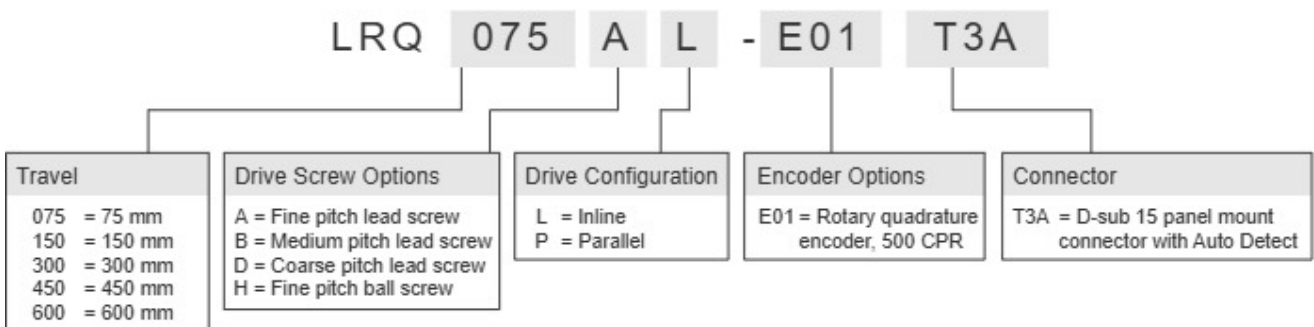
LRQ-E Series Overview

Zaber's LRQ-E Series products are computer-controlled, motorized linear stages with high stiffness, load, and lifetime capabilities in a compact size. At only 36 mm high, these stages are excellent for applications where a low profile is required. These stages are capable of speeds up to 840 mm/s, and can bolt together into XY and XYZ systems. Some multi axis configurations may require additional accessories, please contact Zaber Technical Support to ensure the correct ones are selected. Each device is available in either an inline or parallel drive configuration. The built-in motor encoder allows for closed-loop operation and slip/stall recovery features.

The stages are designed to connect directly to our X-MCC Series universal motor controllers, or they can be used with any 2-phase stepper motor controller through the panel mount DB15 connector. Set up is easy with AutoDetect. Once connected, the X-MCC controller will automatically detect and configure the LRQ-E.

For more information visit: <https://www.zaber.com/products/linear-stages/LRQ-E>

LRQ-E Series Part Numbering & Options



LRQ600HL-E01T3A Drawings

- [LRQxL-E.png \(Dimension Drawing for the LRQxL-E\)](#)

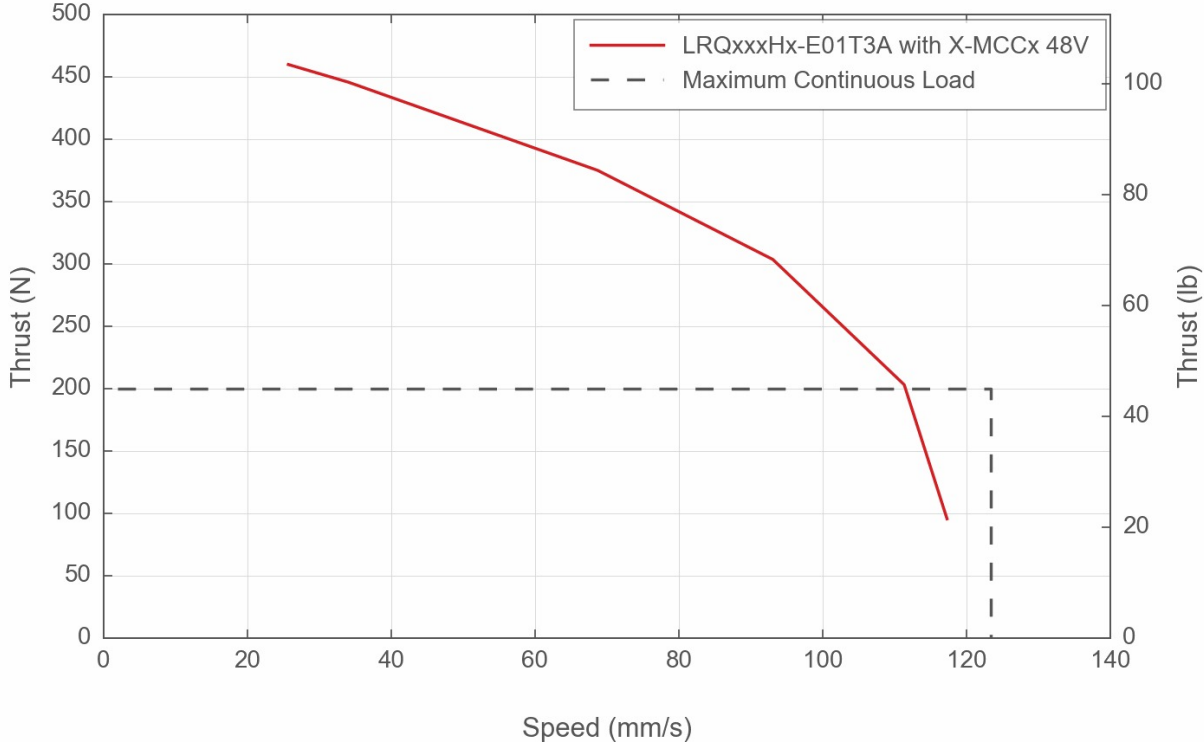
LRQ600HL-E01T3A Specifications

| | |
|--|---|
| Microstep Size (Default Resolution) | 0.1953125 μm |
| Built-in Controller | No |
| Recommended Controller | X-MCC (48 V) Recommended |
| AutoDetect | Yes |
| Travel Range | 600 mm (23.622") |
| Accuracy (unidirectional) | 115 μm (0.004528") |
| Repeatability | < 5 μm (< 0.000197") |
| Backlash | < 30 μm (< 0.001181") |
| Maximum Speed | 110 mm/s (4.331"/s) |
| Minimum Speed | 0.000119 mm/s (0.000005"/s) |
| Speed Resolution | 0.000119 mm/s (0.000005"/s) |
| Encoder Resolution | 500 CPR (2000 states/rev) |
| Encoder Type | Rotary quadrature encoder |
| Peak Thrust | 500 N (112.1 lb) |
| Back-driving Force* | (\pm 30%) 93 N (20.9 lb) |
| Maximum Continuous Thrust | 200 N (44.9 lb) |
| Maximum Centered Load | 1000 N (224.3 lb) |
| Maximum Moment (Pitch) | 30 N-m (22.1 ft-lb) |
| Maximum Moment (Roll) | 30 N-m (22.1 ft-lb) |
| Maximum Moment (Yaw) | 30 N-m (22.1 ft-lb) |
| Vertical Runout | < 75 μm (< 0.002953") |
| Horizontal Runout | < 60 μm (< 0.002362") |
| Pitch | 0.045° (0.785 mrad) |
| Roll | 0.035° (0.611 mrad) |
| Yaw | 0.04° (0.698 mrad) |
| Stiffness in Pitch | 500 N-m/° (35 $\mu\text{rad/N-m}$) |
| Stiffness in Roll | 1180 N-m/° (15 $\mu\text{rad/N-m}$) |
| Stiffness in Yaw | 450 N-m/° (39 $\mu\text{rad/N-m}$) |
| Linear Motion Per Motor Rev | 2.5 mm (0.098") |
| Motor Steps Per Rev | 200 |
| Motor Type | Stepper (2 phase) |

| | |
|--|---|
| Microstep Size (Default Resolution) | 0.1953125 μm |
| Motor Rated Current | 2300 mA/phase |
| Motor Winding Resistance | 1 ohms/phase |
| Inductance | 2.2 mH/phase |
| Motor Connection | D-sub 15 |
| Default Resolution | 1/64 of a step |
| Guide Type | Recirculating Ball Linear Guide |
| Mechanical Drive System | Precision ball screw |
| Limit or Home Sensing | Magnetic home sensor |
| Axes of Motion | 1 |
| Mounting Interface | M6 and M3 threaded holes |
| Operating Temperature Range | 0 to 50 °C |
| CE Compliant | Yes |
| Vacuum Compatible | No |
| Weight | 4.74 kg (10.450 lb) |

LRQ-E Series Charts

Thrust Speed Performance



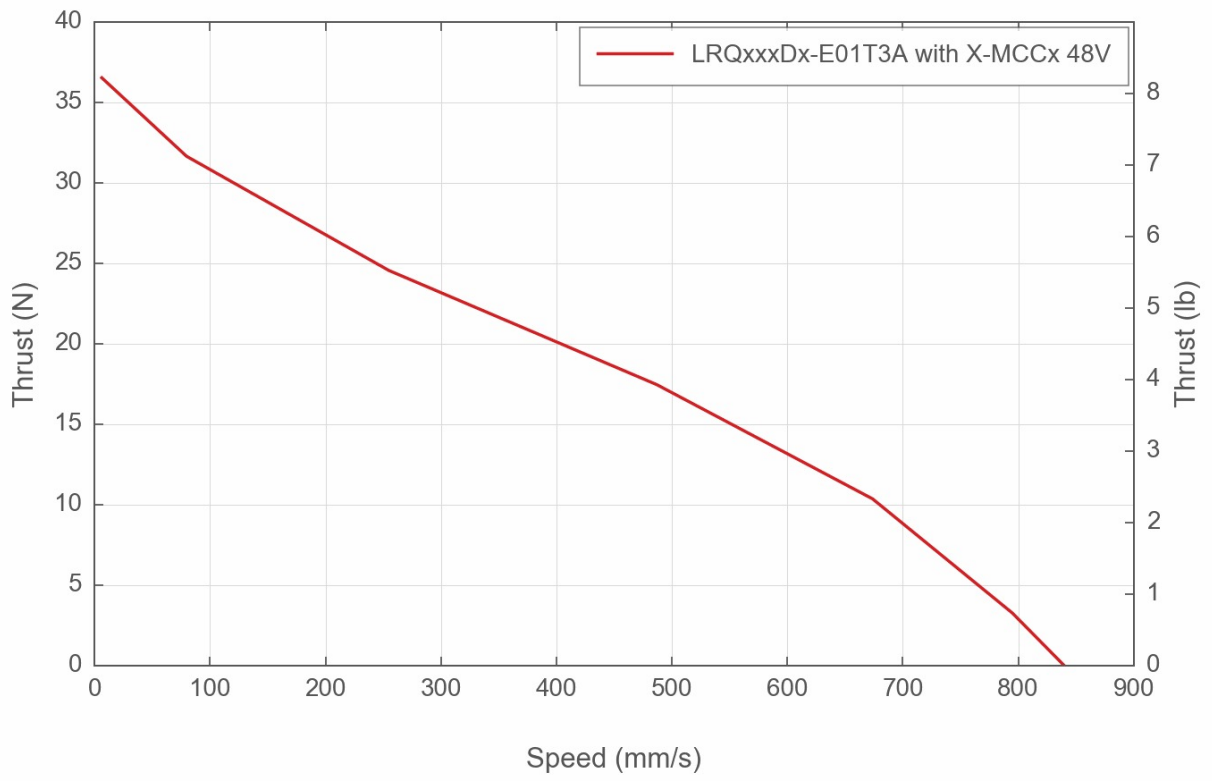
Thrust Speed Performance



Thrust Speed Performance



Thrust Speed Performance



Thrust Speed Performance



LRQ Linear Bearing Lifetime



Contact

Email: contact@zaber.com

Phone (toll free Canada/USA): 1-888-276-8033

Phone (direct): 1-604-569-3780

Fax: 1-604-648-8033

Zaber Technologies Inc.

#2 - 605 West Kent Ave. N.

Vancouver, British Columbia

Canada, V6P 6T7

<https://www.zaber.com>