

X-LRT-EC Series User's Manual

High load linear stages with built-in controllers, motor encoders, dust covers, and optional brakes



Disclaimer

Zaber's products are not intended for use in any critical medical, aviation, or military applications or situations where a product's use or failure could cause personal injury, death, or damage to property. Zaber disclaims any warranty of fitness for a particular purpose. The user of this product agrees to [Zaber's general terms and conditions of sale](#).

Precautions

Zaber's motion control devices are precision instruments and must be handled with care. In particular, moving parts must be treated with care. Avoid axial loads in excess of the rated thrust load, axial and radial impact, dust and other contaminants and damage to the drive components. These will reduce the performance of the device below stated specifications.

⚠ Caution: The motor in this device can exceed 60° C during normal operation and become hot enough to cause burns. Take precautions to prevent contact with the motor.

⚠ Dynamic Stops: The power-off brake is intended to prevent damage and maintain the position of a static load in the event of a power loss. Precautions should be taken to avoid dynamic braking when possible, as this may reduce brake lifetime.

💡 Space Constraints: Plastic covers on the power-off brake stick outside the motor form factor and may be removed when space is limited, but should remain attached otherwise.

💡 Dust Generation: Brake pads may generate small amounts of dust particulate over their lifetime of use.

Conventions used throughout this document

- Fixed width type indicates communication to and from a device. The `μ` symbol indicates a carriage return, which can be achieved by pressing enter when using a terminal program.
- An [ASCII command](#) followed by (T:xx) indicates a legacy T-Series [Binary Protocol](#) command that achieves the same result. For example, `move abs 10000 (T:20:10000)` shows that a move abs ASCII command can also be achieved with Binary command number 20.

Not all ASCII commands have an equivalent Binary counterpart.

Quick Tutorial

We recommend using [Zaber Launcher](#) to communicate with the device(s). For other software options, see the [Software](#) page. Please refer to the [Protocol Manual](#) for more detailed information on the available commands.

Initial Set-up



- Daisy chain all integrated devices and controllers together using the RS-232 "Prev" and "Next" connectors (see [Daisy-Chaining Devices](#) for more details).
- Next, supply power to one or more devices. Many products share power through the daisy-chain cables. The green power indicator on each should light up.
- Turn the knob to move a positioner. Most positioners will only move in one direction until they reach a home sensor at one limit of travel. Then they will move in both directions over full travel.
- Download and install [Zaber Launcher](#). Start Zaber Launcher.
- Create a New Connection and select the communications port the first controller is connected to. For instructions on how to find the available communication ports on your system, please refer to: [Appendix A - Available Communications Ports](#).
- If multiple devices are detected and there are conflicting device numbers, Zaber Launcher will renumber them or you can [renumber \(T:2\)](#) them as desired. The first device in the chain (closest to the computer) will become Device 1, the next will become Device 2, and so on.

Initialization

Every time the device is powered up or reset, you should return the positioner to the home position. This is achieved by sending the [home \(T:1\)](#) command to the individual device or all devices. Until this is done, most positioners will only allow motion in one direction, towards the sensor.

If it is not possible in your application to home the positioner after every power-up, see the [tools parking \(T:65\)](#) command. Parking allows the device to be turned off and then used at a later time without first having to home the axes.

Using the Device

Several commonly used ASCII commands and their Binary equivalents are shown below. For a full list of available commands, please refer to the [Protocol Manual](#).

Command	Description
/1 1 get pos (T:60)	Query the current position of Device #1 Axis #1.
/1 1 move abs 10000 (T:20:10000)	Move Device #1, Axis #1 to position 10000 microsteps.
/2 1 move rel -12800 (T:21:-12800)	Move Device #2, Axis #1 in the negative direction by 12800 microsteps.
/1 stop (T:23)	Decelerate and stop ALL axes on Device 1. An axis number of 0 or no axis number implies all axes on the device, or the device itself.
/ move vel 153600 (T:22:153600)	Move ALL devices and ALL axes in the positive direction at the speed 153600. A device address of 0 or no device address implies all devices in the chain.

Modifying Device Settings

Here are some examples if you would like to customize particular device or axis settings. Refer to the [Protocol Manual](#) for detailed descriptions of each setting.

Command	Description
---------	-------------

/1 set maxspeed 100000	Set the speed of all axes on the device.
(T:42:100000)	
/1 get maxspeed	Query the maximum speed of all axes on the device.
(T:53:42)	
/1 system restore	Restore all the settings of Device 1 to the default.
(T:36)	

Firmware Upgrades

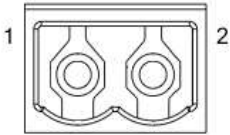
To allow access to new features and bug fixes, this Zaber device can be upgraded remotely through the Firmware Upgrade app in Zaber Launcher. In the "My Connections" window, click on the "..." menu to the right of the device and select "Firmware Upgrade".

Device Overview

Connectors

All images are shown looking into the device.

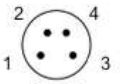
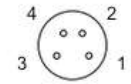
Power

	Pin	Description
	1	24 - 48 V
	2	Device GND

Note: This product requires a CE/UL approved AC/DC power converter such as Zaber's PS13S, PS14S or PS15S with a DC cord of at most 3 m.

Note: As of February 2022, the power supplies Zaber provides are isolated and thus the device is not connected to Earth ground. Prior to 2022, most power supplies were non-isolated. Isolated units can be distinguished by the "S" suffix in their Zaber part number (eg. PS14S), which is marked on the label on the bottom of the power supply.

RS-232 Communications

		Pin	Previous	Next
		1	Power (max 4 A)	Power (max 4 A)
		2	Ground	Ground
		3	Receive	Transmit
		4	Transmit	Receive

Default Settings

- Baud rate: 115200
- Protocol: Zaber ASCII

Specifications

- Supported Protocols: Zaber ASCII, Zaber Binary
- Supported baud rates: 9600, 19200, 38400, 57600, 115200
- Bits: 8
- Parity: None
- Stop Bits: 1
- Flow Control: None

Other Connectors

For any connections not described in this document, cables should be limited to a length of 3 m.

Indicators

Green (Device) - Power

- On: Controller is operational.

- Blinking twice per second: The power supply voltage or controller temperature is out of range.

Red (Device) - System Error

- On/blinking: An error has occurred. Please contact [Zaber Technical Support](#).

Yellow (Device) - Communication

- On: Data is being transferred.
- Blinking twice per second: Packet corruption has occurred for ASCII commands sent with a checksum.

Yellow (Axis) - Axis Status

- On: Axis is moving.
- Blinking: Axis is under manual control via the knob (in Velocity mode). The blinking rate is proportional to movement speed.

Blue (Axis) - Warning/Error

- Blinking twice per second: Driver is disabled due to over-temperature, out-of-range voltage or other driver fault; or due to user request. See [Fx Warning Flags](#). *Note: This may occur for a few seconds on power-up as device initializes.*
- Fading in and out slowly: The axis is parked. See the [tools parking \(T:65\)](#) command.

Installation

The X-LRT-EC can be connected to a computer as follows:

- Plug the M8 to USB adaptor ([X-USBDC](#)) into one of your computer's USB ports, then attach the device to the adaptor. You may need to use a cable extension to reach your computer. There is no need to power down or reboot the computer.
- Connect the power plug of your power supply to the power connector of the device. The green LED should light up indicating the device has power.
- Additional devices can simply be daisy-chained to the first. See [Daisy-Chaining Devices](#) below.
- Install software from the [Software](#) page. For the initial setup, using [Zaber Launcher](#) is recommended.



As a simple first test, try entering:

```
/renumber (T:2)
/1 home (T:1)
/1 move_rel 10000 (T:21:10000)
```

The parameter of 10000 in the move command above specifies 10000 microsteps. To see the microstep size (default resolution) for the positioner and how it translates to displacement, first go to the [product overview](#) page, find your product, click through to the product's webpage, and click on the "Series Specs" tab. The microstep size (default resolution) will be shown in the list of product specs either in the "Group Specifications" section or the "Comparison" section.

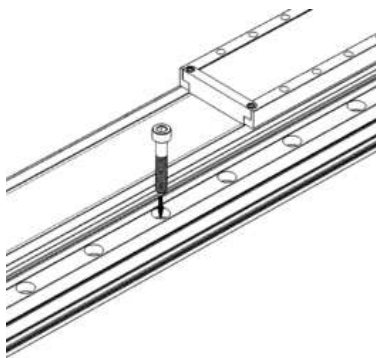
Daisy-Chaining Devices

Multiple devices can be connected together in a chain through the Prev and Next connectors. This allows any number of devices to be controlled from a single connection to a computer, reducing cabling demands. In addition, X-Series devices carry power through the daisy chain, so in most cases a power supply only needs to be connected to one device in the chain. Whenever a device is added or removed from a chain, a [renumber \(T:2\)](#) command should be sent to prevent device address conflicts. If there are device address conflicts, Zaber Launcher will renumber automatically the next time you use it to connect to the chain.

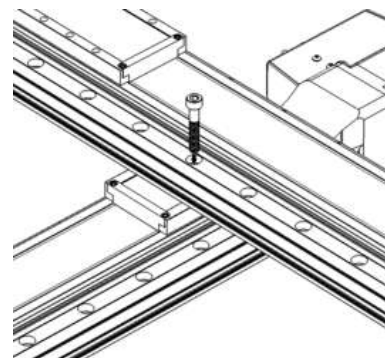
Note: Daisy-chaining devices with cable lengths exceeding 8 m (25 ft) is not recommended.



Physical Installation



Secure stages with M6 (or 1/4"-20) socket cap screws, 35 mm or longer.



Two stages can be mounted directly in XY configuration.

Tip: To obtain the best pitch, roll, yaw and runout accuracy, mount the stage to a known flat, stiff surface. Our tests were performed on a granite table, grade A flatness.

Warning: Tipping Hazard! Ensure stage is fastened to a secure surface before mounting load on carriage. An unmounted stage with a load presents a tipping hazard. Ensure loads are mounted securely to the carriage of the stage.

Warning: Back-driving Hazard! When mounting back-drivable stages vertically, use a power-off brake and do not exceed the "Maximum Axial Brake Force" listed below. Exceeding this load could damage the device and cause injury.

Drive Screw Version	Back-driving Force (N)	Maximum Axial Brake Force (N)
A	Non-back-driving	N/A
B	420	600
D	40	180
H	157	1200

LRT-AE Installation

The LRT-AE version contains a linear encoder scale and flat flex cable on one side. It can be mounted in all orientations except the following. These orientations can cause the encoder flex cable to migrate out of its intended position:



LRT-AE Mounting

This orientation can cause the flex cable to bunch up, especially in stages over 500 mm travel.



LRT-AE Mounting

This orientation can cause the flex cable to migrate out of its cover, especially in stages over 500 mm travel.

Maintenance

Many factors affect the lifetime of the grease and bearings including duty cycle, environment, travel length, stage orientation, and loading configuration. As a general guideline for usage in a clean office environment, the recommended re-lubrication interval is 250 km with an inspection after every 1500 hours of continuous operation. Inspection should be done by wiping a bearing rail with a clean, lint-free wipe and ensuring that there is clean, wetted grease present.

Harsh environment, short travel, vertically oriented, and high duty cycle applications require more frequent re-lubrication and inspection. Contact an Applications Engineer to discuss your application for more specific recommendations.

Short travel can cause an insufficient distribution of lubricant amongst the rolling elements of the bearing system. For recirculating bearing guide types, short travel is equal to or less than the length of the carriage. For crossed-roller bearing guide types, short travel is equal to or less than twice the spacing of the rolling elements (typically 5-6 mm). If your application is considered short travel, it is recommended to occasionally drive the stage throughout its full travel range to maintain an even lubrication film over the entire guide surface. More frequent re-lubrication and inspection may be required in these applications.

Contact [Zaber support](#) for [relubrication kit SG133](#). We recommend using Shell Gadus S2 V220 2 or similar lithium thickened petroleum grease.

Lead Screw Noise

If your stage develops a chirping or squealing sound while moving, especially at high speed, lubricating the lead screw will usually solve the problem. We recommend Super Lube 52004 Synthetic Lightweight Oil.

- Remove the dust cover by following the instructions in the next section
- Move the carriage to the away position.
- Wipe the lead screw clean of any dust or debris before application.
- Apply a small line of Super Lube down the whole length of the lead screw. Be careful not to get any oil into the lead nut as it can interfere with the anti-backlash mechanism.
- Move the carriage slowly (speed = ~60 rpm or 21,000 Zaber units) to the home position to evenly distribute the oil.
- Follow the instructions below to reinstall the rigid cover.



Applying Super Lube to lead screw



This is a good amount of oil

Remove dust cover

⚠ Careful, dust cover edges are sharp!

⚠ Pinch Hazard! You will need to move the stage with the power on while greasing. Be careful not to squish anything, especially fingers or hands, between the carriage and the end plates.



Remove the dust cover clamps at each end of the stage by removing their M3 screws.



Remove the carriage ramps by removing their screws.



Slide out the carriage cover.



Slide out the dust cover. **CAUTION! DUST COVER EDGES ARE SHARP!**



Insert angled syringe tip into grease hole in bearing end cap. With the power on and using the manual control knob (if equipped), move the stage about 100 mm (4") while squeezing grease in from the syringe. Don't drive the carriage close to the ends of the stage where the risk is greater of squishing the syringe or your fingers. Repeat with the other three end caps.

Reinstall dust cover



Slide dust cover into carriage, above angled sliding pads but below thin channel near the top. Position the dust cover so it's about even at both ends

Install one carriage end ramp and slide the top sheet in the thin channel near the top.



Attach the other carriage end ramp.



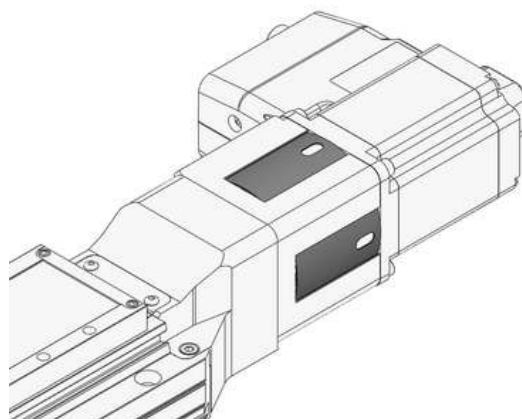
Position the dust cover so it comes close to the clamp holes at each end.



Loosely attach the clamps at each end. Run the stage back and forth once to position the dust cover. Gradually tighten the clamp screws, alternating between the two at each clamp. If part of the dust cover isn't seated properly, loosen the nearest clamp and re-tighten.

NMS23 Brake Cover Removal

The power-off brake is intended to operate with the attached brake covers. If form factor is an issue, the brake covers may be carefully removed as they protrude by up to 0.8 mm from the housing. Gently slide a screwdriver into the slot, and push the cover away from the shaft until it clears the edge of the opening.



Manual Control

Most X-Series motion control products have an integrated, depressible knob with 20 detents per revolution, allowing axes to be controlled without the use of a computer. There are two manual movement modes available: Velocity and Displacement. Switch between these modes by holding down the knob for 1 second or by configuring the [knob.mode \(T:109\)](#) setting.

On power-up, many axes will only travel towards the motor from their start-up positions until the home position is reached. Once the axis has been homed, the full range of travel becomes available.

Velocity Mode

Turn the knob clockwise to move the axis in the positive direction (extend) or counter-clockwise for negative direction (retract). Each detent of the knob increases the speed of the carriage.

There are 16 speeds in each direction. The velocity profile and maximum speed can be configured via the [knob.speedprofile \(T:112\)](#) and [knob.maxspeed \(T:111\)](#) settings. The axis stops and resets the knob upon arriving at the end of travel.

Displacement Mode

Turn the knob clockwise to move the axis in the positive direction (extend), counter-clockwise for negative direction (retract). Each detent of the knob moves the axis a fixed number of microsteps, specified by the [knob.distance \(T:110\)](#) setting. If [knob.distance \(T:110\)](#) is set to 0, each detent of the knob will move to the next index position, similar to [move.index \(T:78\)](#) movements. The axis moves at the speed specified by the [maxspeed \(T:42\)](#) setting, or the slower of [maxspeed \(T:42\)](#) and [limit.approach.maxspeed \(T:41\)](#) if the axis has not been homed. If there are fewer than [knob.distance \(T:110\)](#) microsteps to the end of travel and another move is requested, the axis will move to the end of travel and then stop.

Summary of knob functionality

- Turning the knob:
Moves the axis in the direction of knob turn.
- Pressing the knob:
Decelerates and stops the axis (identical to a [stop \(T:23\)](#) command).
Instantly stops the axis, if the axis is already decelerating.
Warning: Stopping instantly may result in damage to the product and reduced lifespan. Use sparingly if the axis is under heavy load.
- Pressing and holding the knob for 1 second:
Toggles between Velocity Mode and Displacement Mode.

Trajectory Control and Behaviour

This section describes the behaviour of the axis trajectory when a movement command is issued.

Software Position Limits

The travel range of the axis is limited by the Minimum Position and Maximum Position settings. The factory settings for the axis are configured to match the physical travel range. If a customized range is desired, it can be changed by configuring the [limit.min \(T:106\)](#) and [limit.max \(T:44\)](#) settings to appropriate values. For the Current Position, query [pos \(T:60\)](#).

Minimum Position

When the Current Position is less than the Minimum Position value, the axis cannot move in the negative direction (towards the motor).

Maximum Position

When the Current Position is greater than the Maximum Position value, the axis cannot move in the positive direction (away from the motor).

Movement Speed

The movement speed of the axis depends on axis status and various speed settings. If the axis has not been initialized by the [home \(T:1\)](#) command or by moving towards the home end of the axis, movement speed will be constrained to fail-safe values. The home status of the axis can be determined by reading the [limit.home.triggered \(T:53:103\)](#) setting.

Movement speed of the axis is specified below:

[move vel \(T:22\)](#)

The axis will move at the specified speed regardless of home status.

Knob movement in Velocity Mode

The axis will move at the specified speed regardless of home status.

The speed is specified by the [knob.speedprofile \(T:112\)](#) and [knob.maxspeed \(T:111\)](#) settings.

Other movement commands - when the axis has not been homed

The axis will move at the slower of the [maxspeed \(T:42\)](#) and [limit_approach.maxspeed \(T:41\)](#) settings.

Other movement commands - when the axis has been homed

The axis will move at the speed specified by the [maxspeed \(T:42\)](#) setting.

Power-Off Brake Control

Described below are the recommended procedures for operating a brake-equipped device:

Dynamic Brake Engagement - For Position Holding After Faults

The power-off brake opens by default when the system is powered up. The brake will close if the device stalls, is displaced while stationary, the driver is disabled, or the power is interrupted. Repeated dynamic stopping may reduce the lifetime of the brake. We strongly recommend avoiding dynamic braking when possible.

Stationary Brake Engagement - For Position Holding

The power-off brake opens by default when the system is powered up. To change the brake state, use `brake.mode`.

The order of operations to set a retaining position should follow:

- Open the brake by setting `brake.mode` to 1.
- Allow 100 ms for the brake to open.
- Move the positioner.
- Close the brake by setting `brake.mode` to 0.
- Allow 100 ms for the brake to close.

If accuracy is required, the [driver.current.hold](#) (T:39) should remain on to prevent slight shifts in the device position.

Stationary Brake Engagement - For Reducing Motor Heat

The power-off brake opens by default when the system is powered up. To change the brake state, use `brake.mode`. To reduce heat generated in the motor, use the driver disable command in between moves.

The order of operations to maintain a vertical position, and disabling the driver to reduce heat, should follow:

- Set the hold current to the appropriate value based on load (see [defaults](#) on website).
- Move the positioner to the intended location.
- Send the [driver.disable](#) command. The brake will automatically close.
- When ready to move again, send the [driver.enable](#) command. The brake will open.
- Move the positioner as normal

Turning off the hold current will cause a small displacement of the positioner.

Manual Device Movement

Manual Device movement requires disabling the encoder displacement detection to prevent engagement of the power-off brake. The order of operations for manual movement should follow:

- Remove any load from the positioner.
- Disable closed-loop control by setting `cloop.enable` to 0.
- Set the hold current to 0.
- Move the positioner manually by hand. For screw driven linear devices, turning the lead screw can assist in achieving smaller increments during manual movement.

Current Controller Tuning

In firmware versions 7.27 and up, this product's current controller can be tuned to modify the performance of the stepper motor. The current controllers on Zaber products are already tuned to perform well in the vast majority of situations. You should only need to tune the current controller if the default tuning is not providing sufficient performance.

Use the Current Tuner application in [Zaber Launcher](#) to tune the performance of the motor.

Troubleshooting X-Series Motion Devices

The following sections contain tips for troubleshooting common problems. If the device is unable to communicate, and it is operating erratically, a manual factory reset can be performed on most devices using the following steps. Note that this will reset most settings.

- Power Off the device
- Push and hold the knob for the first Axis (if applicable)
- Power On the device
- Continue to hold the knob in (for ~5 seconds) until one or more LEDs are fading or the blue LED is lit, then release.
- The device has been returned to its factory defaults and can be configured as per the steps in [Initial Setup](#).

Front Panel Indicators

Green LED on.

The device is powered on and is operating normally.

Green LED flashes slowly.

The operating conditions of the device are outside of the recommended range.

This will occur when the supply voltage is either over or under the recommended range or the controller temperature has exceeded the set limit. Check the following:

- The input voltage is within the operational range of the device. This can be read from the device with the [get_system.voltage](#) command.
- The device temperature is within range. This can be read from the device with the [get_system.temperature](#) command.

Green LED off.

The device is not powered.

Check the supply connections and power adaptor for correct operation.

Red LED on or flashing.

A critical error has occurred.

Please contact [Zaber Technical Support](#).

Yellow LED always off or flashes but no reply.

There are communication errors.

Please see the [Communication Errors](#) section below.

Blue (or Green for Firmware versions <7.15) LED Fades In and Out.

The axis is parked.

Issue a [tools.parking.unpark\(T:65:0\)](#) command, or [home \(T:1\)](#) the axis.

Blue LED blinking twice per second. Axis does not move.

Driver may be disabled due to over-temperature, out-of-range voltage or other driver fault; or due to user request.

See [Fx Warning Flags](#).

Once the issue has been resolved, send [driver.enable](#).

Manual Control

Turning the knob either way results in no movement.

The knob may have been disabled.

Check that the [knob.enable \(T:107\)](#) setting is correct.

Restore the default parameters through the [system.restore \(T:36\)](#) command.

A brake-equipped axis does not move under manual control.

The power-off brake may be closed.

Ensure that [brake.mode](#) is set to 1.

The axis won't cover the full range of travel.

The axis hasn't been homed.

Turn the knob anti-clockwise until the axis reaches the fully retracted position. The axis will home and the full range of travel available.

Unexpected Behaviour

The axis doesn't respond to a move command.

The axis may need to be homed before use.

Send the [home \(T:1\)](#) command.

A move command is rejected

The power-off brake may be closed.

Ensure that [brake.mode](#) is set to 1.

The axis is moving on its own and running against the ends of travel.

The position encoder has de-synchronized.

Reset the device by power cycling it or sending the [system.reset \(T:0\)](#) command, then re-initialize it with the [home \(T:1\)](#) command.

The axis is moving very slowly. It used to move faster.

The speed settings may have been changed inadvertently.

Send a [system.restore \(T:36\)](#) command.

The axis makes louder than normal noise during travel and is frequently slipping.

This condition happens if the thrust needed is more than the thrust available from the axis.

Check the following:

- The force on the axis is less than the maximum thrust.
- The voltage matches the specified voltage. Read the voltage using the [get_system.voltage](#) command. Voltage less than the specified voltage for the device will reduce the positioner's maximum thrust.

Test the following:

- Try a slower target velocity. Stepper motors produce more thrust when moving slowly.
- Try a lower acceleration and deceleration.
- Clean the screw and lightly re-grease it with a grease that does not degrade plastics.

The axis has repeatability errors smaller than 4 full steps.

If steps aren't being skipped, friction or loose parts may still cause some variation when returning to a position.

Please contact [Zaber Technical Support](#).

The axis doesn't cover the full range of travel, or runs into the end.

A setting might have been inadvertently changed.

- [home \(T:1\)](#) the axis to see if this corrects the behaviour.
- Send a [system restore \(T:36\)](#) command.

The positioner's motor unexpectedly shuts off. An **Fx warning flag is present.**

The motor over-temperature protection switch has been tripped. This sensor will trip if the positioner's maximum continuous thrust specification is exceeded for too long. To prevent this condition from occurring again, reduce the average force that the motor outputs by reducing acceleration, reducing the load, or lowering the duty cycle.

Send a [driver enable](#) command. The axis does not require homing.

Power-Off Brake Unexpected Behaviour

Brake isn't opening on brake.mode 1.

An audible click should be heard when the brake is switching from closed to open. If no click is detected during brake mode transition, please contact Zaber Technical Support.

Power-off brake is hot to touch.

A significant amount of heat is generated during normal operation of the device, and care should be taken to avoid potential burns to the operator and damage to the device components.

If there are Driver Temperature (DT) or Temperature High (WT) [warning flags](#), reduce the duty cycle and the [driver.current.run](#) [↓] [\(T:38\)](#) where possible. This will help prevent overheating and improve brake lifetime.

Please contact [Zaber Technical Support](#) to help select the optimal duty cycle and current settings for your device.

Communication Errors

There is no communication with the device; the Yellow LED does not come on or flash.

There are several things that should be checked:

- Make sure the correct serial port is selected. Try selecting other serial ports in the software.
- Check the baud rate, hand shaking, parity, stop bit, etc. when configuring the serial communications software. The required settings are listed in the [RS-232 Communications](#) section above.
- Make sure there are no bent pins in the ends of all the data cables
- Make sure the device is powered. The Green LED should be on.
- If the computer is a laptop running on batteries, try plugging in the power. Some laptops disable the serial ports when running on batteries.
- Make sure a null modem adaptor or cable is not being used.
- Make sure the correct adaptors (if any) are being used. Refer to the pinouts in the [RS-232 Communications](#) section above.
- If the problem was encountered when trying to control the device with custom software, try using [Zaber Launcher](#) to verify that the hardware is functioning properly.

Two or more devices both respond to commands sent to device 1.

Most devices are shipped with their device number set as 1. If you connect to the devices with Zaber Launcher, it will automatically renumber them if needed. If you aren't able to install and open Zaber Launcher, send the [renumber \(T:2\)](#) command in the software you are using to set all of the device numbers to different values.

The Yellow LED comes on briefly when sending a command, but the axis does not move and does not reply.

Check baud rate, hand shaking, parity, stop bit, etc. are set as per the [RS-232 Communications](#) defaults.

The device numbers may not be what is expected, issue a [renumber \(T:2\)](#) command. Make sure that the computer does not transmit anything else while the devices renumber.

If using the Binary Protocol, check the following:

- 6 bytes are transmitted and that the device number and command are valid.
- The software does not transmit any control characters such as line feed and spaces.
- That the serial port is not configured with a termination character (it often defaults to linefeed).

If problems are encountered when using custom software, try using [Zaber Launcher](#) to verify that the hardware works.

The device does not behave as expected when software sends it a series of commands.

If your computer's language and region settings are other than US English, your software may be sending non-ASCII characters or using commas instead of periods as decimal points. Try setting your computer's language to English and region to United States to see if it fixes the problem.

Check what is being sent out of the serial port. stackoverflow.com has a list of some tools to monitor serial ports.

In Binary mode, the device does not send replies but otherwise works.

Auto-reply might have been disabled via [T:101](#).

Send a [system restore \(T:36\)](#) command.

If the problem is encountered when trying to control the device with custom software:

- Use Zaber Console to verify that the hardware is functioning properly.
- Make sure that the receiving part of the code or commercial package is correct.
- Check the serial port settings are correct.
- Check connectors for bent or broken pins.

In Binary mode, the device sometimes returns fewer than 6 bytes.

This typically indicates a problem with the serial port settings. Some serial ports are set to automatically recognize and remove specific control characters such as carriage returns when they appear in the RS-232 receive buffer.

Check that the settings are correct and are not removing or replacing characters.

Slipping and Stalling

The axis makes noise but does not move.

The axis is stalling and the brake has closed. Move commands are rejected when the brake is closed. To resume operation after a stall, open the brake by sending a [driver enable](#) command.

Try removing all external loads. If the axis now extends and retracts normally, the problem is excessive load. Try to reduce the load and ensure the load is less than the maximum thrust. A higher thrust or torque can be achieved by lowering the speed of the axis using the [maxspeed \(T:42\)](#) setting.

If an axis is stalling with no external load at default speed and acceleration settings then it requires servicing.

Warranty and Repair

For Zaber's policies on warranty and repair, please refer to the [Ordering Policies](#).

Standard products

Standard products are any part numbers that do not contain the suffix ENG followed by a 4 digit number. Most, but not all, standard products are listed for sale on our website. All standard Zaber products are backed by a one-month satisfaction guarantee. If you are not satisfied with your purchase, we will refund your payment minus any shipping charges. Goods must be in brand new saleable condition with no marks. Zaber products are guaranteed for one year. During this period Zaber will repair any products with faults due to manufacturing defects, free of charge.

Custom products

Custom products are any part numbers containing the suffix ENG followed by a 4 digit number. Each of these products has been designed for a custom application for a particular customer. Custom products are guaranteed for one year, unless explicitly stated otherwise. During this period Zaber will repair any products with faults due to manufacturing defects, free of charge.

How to return products

Customers with devices in need of return or repair should contact Zaber to obtain an RMA form which must be filled out and sent back to us to receive an RMA number. The RMA form contains instructions for packing and returning the device. The specified RMA number must be included on the shipment to ensure timely processing.

Email Updates

If you would like to receive our periodic email newsletter including product updates and promotions.

Contact Information

Contact Zaber Technologies Inc by any of the following methods:

Phone	1-604-569-3780 (direct) 1-888-276-8033 (toll free in North America)
Fax	1-604-648-8033
Mail	#2 - 605 West Kent Ave. N., Vancouver, British Columbia, Canada, V6P 6T7
Web	www.zaber.com
Email	Please visit our website for up to date email contact information.

The original instructions for this product are available at <https://www.zaber.com/manuals/X-LRT-EC>.

Appendix A - Available Communications Ports

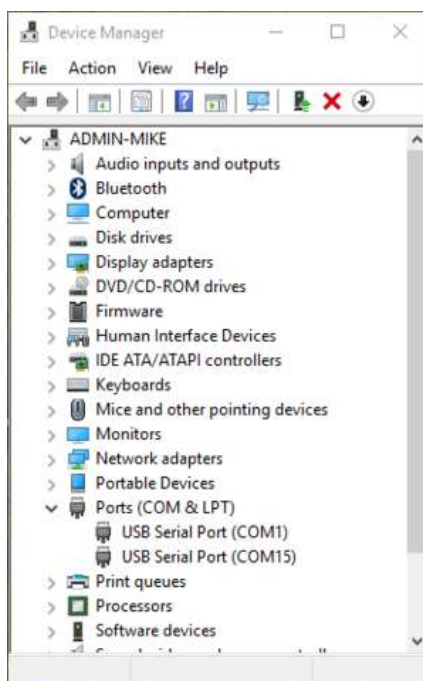
The following instructions outline how to find installed serial ports on your computer.

Windows

- Open Search or Run from the Start Menu or Taskbar, type "Device Manager" and press enter.



- Expand the Ports (COM & LPT) category.



- In this example there are two serial ports available (COM1 and COM15), which are both USB adaptors.

Linux

- Finding devices
 - Open a terminal and execute the following command:

```
dmesg | grep -E ttyU?S
```

- The response will be similar to the following:

```
[ 2.029214] serial8250: ttyS0 at I/O 0x3f8 (irq = 4) is a 16550A
```

```
[ 2.432572] 00:07: ttyS0 at I/O 0x3f8 (irq = 4) is a 16550A
```

```
[ 2.468149] 0000:00:03.3: ttyS4 at I/O 0xec98 (irq = 17) is a 16550A
```

```
[ 13.514432] usb 7-2: FTDI USB Serial Device converter now attached to ttyUSB0
```

- This shows that there are 3 serial ports available: ttyS0, ttyS4 and ttyUSB0 (a USB adaptor)
- Checking port permissions
 - Using the ports found above, execute the following command

```
ls -l /dev/tty{S0, S4, USB0}
```

- The permissions, given below, show that a user has to be root or a member of the dialout group to be able to access these devices
- ```
crw-rw---- 1 root dialout 4, 64 Oct 31 06:44 /dev/ttyS0
crw-rw---- 1 root dialout 4, 68 Oct 31 06:45 /dev/ttyS4
crw-rw---- 1 root dialout 188, 0 Oct 31 07:58 /dev/ttyUSB0
```

- Checking group membership

groups↵

- The output will be similar to the following:

```
adm cdrom sudo dip plugdev users lpadmin sambashare
```

Notice that dialout is not in the list

- A user can be added to the dialout group with the following command

```
sudo adduser $USER dialout↵
```

- Group membership will not take effect until the next logon.

## OSX

- Finding devices

- Open a terminal and execute the following command:

```
ls /dev/cu.*serial*
```

- The response will be similar to the following:

```
/dev/cu.usbserial-FTB3QAET
```

```
/dev/cu.usbserial-FTEJJ1YW
```

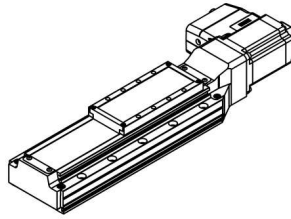
- This shows that there are two serial ports available, both of which happen to be USB adaptors.

- There may be other devices that match this query, such as keyboards or some web cameras. To determine which one corresponds to your USB serial cable, try repeating the command with and without the cable connected to the computer, to see which one appears and disappears.

# Product Drawings

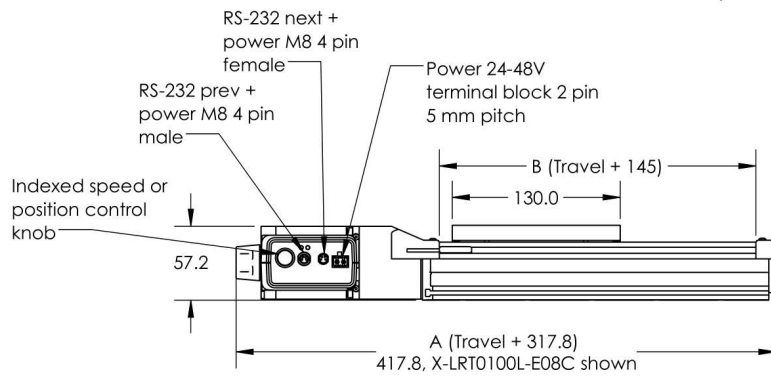
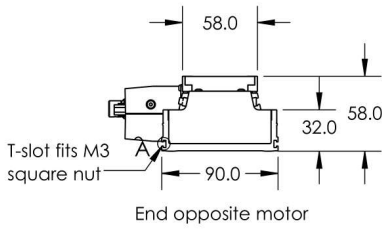
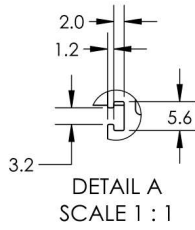
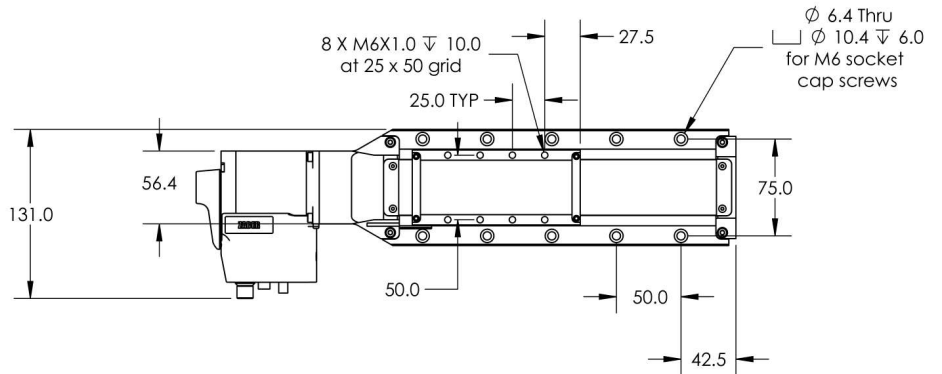
# ZABER

**X-LRT-EC Motorized Stage**  
 dimensions in mm



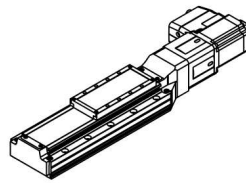
| Model Number*  | Travel | A      | B    |
|----------------|--------|--------|------|
| X-LRT0100xL-EC | 100    | 417.8  | 245  |
| X-LRT0250xL-EC | 250    | 567.8  | 395  |
| X-LRT0500xL-EC | 500    | 817.8  | 645  |
| X-LRT0750xL-EC | 750    | 1067.8 | 895  |
| X-LRT1000xL-EC | 1000   | 1317.8 | 1145 |
| X-LRT1500xL-EC | 1500   | 1817.8 | 1645 |

\*See product page for complete list of available models at [www.zaber.com](http://www.zaber.com)



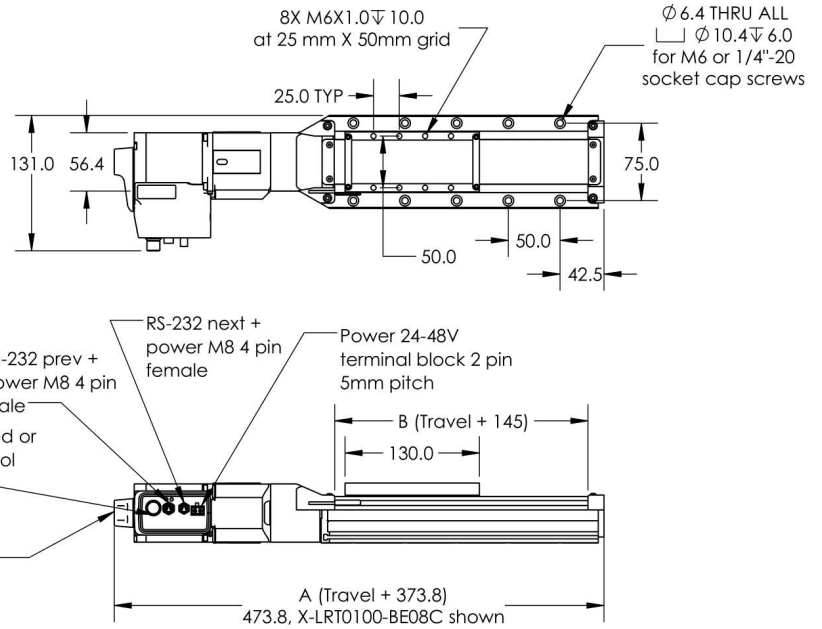
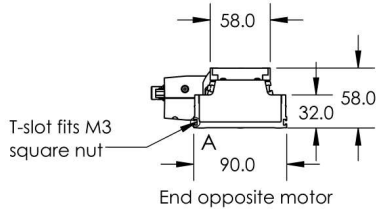
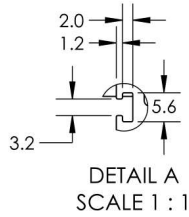
# ZABER

X-LRT-BEC  
dimensions in mm



| Model Number*   | Travel | A      | B      |
|-----------------|--------|--------|--------|
| X-LRT0100-BE08C | 100.0  | 473.8  | 245.0  |
| X-LRT0250-BE08C | 250.0  | 623.8  | 395.0  |
| X-LRT0500-BE08C | 500.0  | 873.8  | 645.0  |
| X-LRT0750-BE08C | 750.0  | 1123.8 | 895.0  |
| X-LRT1000-BE08C | 1000.0 | 1373.8 | 1145.0 |
| X-LRT1500-BE08C | 1500.0 | 1873.8 | 1645.0 |

\*See product page for complete list of available models at [www.zaber.com](http://www.zaber.com)



DWG 4197 R01A

## Specifications

| Specification           | Value                     | Alternate Unit  |
|-------------------------|---------------------------|-----------------|
| Built-in Controller     | Yes                       |                 |
| Encoder Resolution      | 400 CPR                   | 1600 states/rev |
| Encoder Type            | Rotary quadrature encoder |                 |
| Communication Interface | RS-232                    |                 |
| Communication Protocol  | Zaber ASCII               |                 |
| Data Cable Connection   | Locking 4-pin M8          |                 |
| Maximum Centered Load   | 2940 N                    | 659.3 lb        |
| Maximum Moment (Pitch)  | 70 N·m                    | 51.7 ft·lb      |
| Maximum Moment (Roll)   | 120 N·m                   | 88.6 ft·lb      |
| Maximum Moment (Yaw)    | 70 N·m                    | 51.7 ft·lb      |
| Vertical Runout         | < 10 µm                   | < 0.000394"     |
| Horizontal Runout       | < 50 µm                   | < 0.001968"     |
| Pitch                   | 0.015°                    | 0.262 mrad      |
| Roll                    | 0.02°                     | 0.349 mrad      |
| Yaw                     | 0.03°                     | 0.523 mrad      |
| Stiffness in Pitch      | 1400 N·m/°                | 12 µrad/N·m     |
| Stiffness in Roll       | 700 N·m/°                 | 25 µrad/N·m     |
| Stiffness in Yaw        | 1200 N·m/°                | 15 µrad/N·m     |

| Specification               | Value                           | Alternate Unit |
|-----------------------------|---------------------------------|----------------|
| Power Supply                | 24-48 VDC                       |                |
| Power Plug                  | 2-pin screw terminal            |                |
| Maximum Current Draw        | 3600 mA                         |                |
| Motor Steps Per Rev         | 200                             |                |
| Motor Type                  | Stepper (2 phase)               |                |
| Motor Rated Current         | 3000 mA/phase                   |                |
| Inductance                  | 2 mH/phase                      |                |
| Default Resolution          | 1/64 of a step                  |                |
| Guide Type                  | Recirculating Ball Linear Guide |                |
| Limit or Home Sensing       | Magnetic home sensor            |                |
| Manual Control              | Indexed knob with push switch   |                |
| Axes of Motion              | 1                               |                |
| LED Indicators              | Yes                             |                |
| Operating Temperature Range | 0 to 50 °C                      |                |
| CE Compliant                | Yes                             |                |
| Vacuum Compatible           | No                              |                |

## Comparison

| Part Number              | Microstep Size (Default Resolution) | Travel Range     | Accuracy (unidirectional) | Repeatability        |
|--------------------------|-------------------------------------|------------------|---------------------------|----------------------|
| <b>X-LRT0100AL-E08C</b>  | 0.124023438 µm                      | 100 mm (3.937")  | 25 µm (0.000984")         | < 4 µm (< 0.000157") |
| <b>X-LRT0100BL-E08C</b>  | 0.49609375 µm                       | 100 mm (3.937")  | 25 µm (0.000984")         | < 4 µm (< 0.000157") |
| <b>X-LRT0100BL-BE08C</b> | 0.49609375 µm                       | 100 mm (3.937")  | 25 µm (0.000984")         | < 4 µm (< 0.000157") |
| <b>X-LRT0100DL-E08C</b>  | 1.984375 µm                         | 100 mm (3.937")  | 25 µm (0.000984")         | < 8 µm (< 0.000315") |
| <b>X-LRT0100DL-BE08C</b> | 1.984375 µm                         | 100 mm (3.937")  | 25 µm (0.000984")         | < 8 µm (< 0.000315") |
| <b>X-LRT0100HL-E08C</b>  | 0.390625 µm                         | 100 mm (3.937")  | 45 µm (0.001772")         | < 4 µm (< 0.000157") |
| <b>X-LRT0100HL-BE08C</b> | 0.390625 µm                         | 100 mm (3.937")  | 45 µm (0.001772")         | < 4 µm (< 0.000157") |
| <b>X-LRT0250AL-E08C</b>  | 0.124023438 µm                      | 250 mm (9.843")  | 63 µm (0.002480")         | < 4 µm (< 0.000157") |
| <b>X-LRT0250BL-E08C</b>  | 0.49609375 µm                       | 250 mm (9.843")  | 63 µm (0.002480")         | < 4 µm (< 0.000157") |
| <b>X-LRT0250BL-BE08C</b> | 0.49609375 µm                       | 250 mm (9.843")  | 63 µm (0.002480")         | < 4 µm (< 0.000157") |
| <b>X-LRT0250DL-E08C</b>  | 1.984375 µm                         | 250 mm (9.843")  | 63 µm (0.002480")         | < 8 µm (< 0.000315") |
| <b>X-LRT0250DL-BE08C</b> | 1.984375 µm                         | 250 mm (9.843")  | 63 µm (0.002480")         | < 8 µm (< 0.000315") |
| <b>X-LRT0250HL-E08C</b>  | 0.390625 µm                         | 250 mm (9.843")  | 113 µm (0.004449")        | < 4 µm (< 0.000157") |
| <b>X-LRT0250HL-BE08C</b> | 0.390625 µm                         | 250 mm (9.843")  | 113 µm (0.004449")        | < 4 µm (< 0.000157") |
| <b>X-LRT0500AL-E08C</b>  | 0.124023438 µm                      | 500 mm (19.685") | 125 µm (0.004921")        | < 4 µm (< 0.000157") |
| <b>X-LRT0500BL-E08C</b>  | 0.49609375 µm                       | 500 mm (19.685") | 125 µm (0.004921")        | < 4 µm (< 0.000157") |
| <b>X-LRT0500BL-BE08C</b> | 0.49609375 µm                       | 500 mm (19.685") | 125 µm (0.004921")        | < 4 µm (< 0.000157") |
| <b>X-LRT0500DL-E08C</b>  | 1.984375 µm                         | 500 mm (19.685") | 125 µm (0.004921")        | < 8 µm (< 0.000315") |
| <b>X-LRT0500DL-BE08C</b> | 1.984375 µm                         | 500 mm (19.685") | 125 µm (0.004921")        | < 8 µm (< 0.000315") |
| <b>X-LRT0500HL-E08C</b>  | 0.390625 µm                         | 500 mm (19.685") | 225 µm (0.008858")        | < 4 µm (< 0.000157") |
| <b>X-LRT0500HL-BE08C</b> | 0.390625 µm                         | 500 mm (19.685") | 225 µm (0.008858")        | < 4 µm (< 0.000157") |
| <b>X-LRT0750AL-E08C</b>  | 0.124023438 µm                      | 750 mm (29.528") | 188 µm (0.007402")        | < 4 µm (< 0.000157") |
| <b>X-LRT0750BL-E08C</b>  | 0.49609375 µm                       | 750 mm (29.528") | 188 µm (0.007402")        | < 4 µm (< 0.000157") |

| Part Number              | Microstep Size (Default Resolution) | Travel Range      | Accuracy (unidirectional) | Repeatability        |
|--------------------------|-------------------------------------|-------------------|---------------------------|----------------------|
| <b>X-LRT0750BL-BE08C</b> | 0.49609375 µm                       | 750 mm (29.528")  | 188 µm (0.007402")        | < 4 µm (< 0.000157") |
| <b>X-LRT0750DL-E08C</b>  | 1.984375 µm                         | 750 mm (29.528")  | 188 µm (0.007402")        | < 8 µm (< 0.000315") |
| <b>X-LRT0750DL-BE08C</b> | 1.984375 µm                         | 750 mm (29.528")  | 188 µm (0.007402")        | < 8 µm (< 0.000315") |
| <b>X-LRT0750HL-E08C</b>  | 0.390625 µm                         | 750 mm (29.528")  | 338 µm (0.013307")        | < 4 µm (< 0.000157") |
| <b>X-LRT0750HL-BE08C</b> | 0.390625 µm                         | 750 mm (29.528")  | 338 µm (0.013307")        | < 4 µm (< 0.000157") |
| <b>X-LRT1000AL-E08C</b>  | 0.124023438 µm                      | 1000 mm (39.370") | 250 µm (0.009842")        | < 4 µm (< 0.000157") |
| <b>X-LRT1000BL-E08C</b>  | 0.49609375 µm                       | 1000 mm (39.370") | 250 µm (0.009842")        | < 4 µm (< 0.000157") |
| <b>X-LRT1000BL-BE08C</b> | 0.49609375 µm                       | 1000 mm (39.370") | 250 µm (0.009842")        | < 4 µm (< 0.000157") |
| <b>X-LRT1000DL-E08C</b>  | 1.984375 µm                         | 1000 mm (39.370") | 250 µm (0.009842")        | < 8 µm (< 0.000315") |
| <b>X-LRT1000DL-BE08C</b> | 1.984375 µm                         | 1000 mm (39.370") | 250 µm (0.009842")        | < 8 µm (< 0.000315") |
| <b>X-LRT1000HL-E08C</b>  | 0.390625 µm                         | 1000 mm (39.370") | 450 µm (0.017716")        | < 4 µm (< 0.000157") |
| <b>X-LRT1000HL-BE08C</b> | 0.390625 µm                         | 1000 mm (39.370") | 450 µm (0.017716")        | < 4 µm (< 0.000157") |
| <b>X-LRT1500AL-E08C</b>  | 0.124023438 µm                      | 1500 mm (59.055") | 375 µm (0.014764")        | < 4 µm (< 0.000157") |
| <b>X-LRT1500BL-E08C</b>  | 0.49609375 µm                       | 1500 mm (59.055") | 375 µm (0.014764")        | < 4 µm (< 0.000157") |
| <b>X-LRT1500BL-BE08C</b> | 0.49609375 µm                       | 1500 mm (59.055") | 375 µm (0.014764")        | < 4 µm (< 0.000157") |
| <b>X-LRT1500DL-E08C</b>  | 1.984375 µm                         | 1500 mm (59.055") | 375 µm (0.014764")        | < 8 µm (< 0.000315") |
| <b>X-LRT1500DL-BE08C</b> | 1.984375 µm                         | 1500 mm (59.055") | 375 µm (0.014764")        | < 8 µm (< 0.000315") |

| Part Number              | Backlash              | Maximum Speed        | Minimum Speed                  | Speed Resolution               |
|--------------------------|-----------------------|----------------------|--------------------------------|--------------------------------|
| <b>X-LRT0100AL-E08C</b>  | < 12 µm (< 0.000472") | 45 mm/s (1.772"/s)   | 0.000076 mm/s<br>(0.000003"/s) | 0.000076 mm/s<br>(0.000003"/s) |
| <b>X-LRT0100BL-E08C</b>  | < 45 µm (< 0.001772") | 175 mm/s (6.890"/s)  | 0.000303 mm/s<br>(0.000012"/s) | 0.000303 mm/s<br>(0.000012"/s) |
| <b>X-LRT0100BL-BE08C</b> | < 45 µm (< 0.001772") | 175 mm/s (6.890"/s)  | 0.000303 mm/s<br>(0.000012"/s) | 0.000303 mm/s<br>(0.000012"/s) |
| <b>X-LRT0100DL-E08C</b>  | < 75 µm (< 0.002953") | 700 mm/s (27.559"/s) | 0.001212 mm/s<br>(0.000048"/s) | 0.001212 mm/s<br>(0.000048"/s) |
| <b>X-LRT0100DL-BE08C</b> | < 75 µm (< 0.002953") | 700 mm/s (27.559"/s) | 0.001212 mm/s<br>(0.000048"/s) | 0.001212 mm/s<br>(0.000048"/s) |
| <b>X-LRT0100HL-E08C</b>  | < 25 µm (< 0.000984") | 240 mm/s (9.449"/s)  | 0.000239 mm/s<br>(0.000009"/s) | 0.000239 mm/s<br>(0.000009"/s) |
| <b>X-LRT0100HL-BE08C</b> | < 25 µm (< 0.000984") | 240 mm/s (9.449"/s)  | 0.000239 mm/s<br>(0.000009"/s) | 0.000239 mm/s<br>(0.000009"/s) |
| <b>X-LRT0250AL-E08C</b>  | < 12 µm (< 0.000472") | 45 mm/s (1.772"/s)   | 0.000076 mm/s<br>(0.000003"/s) | 0.000076 mm/s<br>(0.000003"/s) |
| <b>X-LRT0250BL-E08C</b>  | < 45 µm (< 0.001772") | 175 mm/s (6.890"/s)  | 0.000303 mm/s<br>(0.000012"/s) | 0.000303 mm/s<br>(0.000012"/s) |
| <b>X-LRT0250BL-BE08C</b> | < 45 µm (< 0.001772") | 175 mm/s (6.890"/s)  | 0.000303 mm/s<br>(0.000012"/s) | 0.000303 mm/s<br>(0.000012"/s) |
| <b>X-LRT0250DL-E08C</b>  | < 75 µm (< 0.002953") | 700 mm/s (27.559"/s) | 0.001212 mm/s<br>(0.000048"/s) | 0.001212 mm/s<br>(0.000048"/s) |
| <b>X-LRT0250DL-BE08C</b> | < 75 µm (< 0.002953") | 700 mm/s (27.559"/s) | 0.001212 mm/s<br>(0.000048"/s) | 0.001212 mm/s<br>(0.000048"/s) |
| <b>X-LRT0250HL-E08C</b>  | < 25 µm (< 0.000984") | 240 mm/s (9.449"/s)  | 0.000239 mm/s<br>(0.000009"/s) | 0.000239 mm/s<br>(0.000009"/s) |

| Part Number              | Backlash              | Maximum Speed        | Minimum Speed               | Speed Resolution            |
|--------------------------|-----------------------|----------------------|-----------------------------|-----------------------------|
| <b>X-LRT0250HL-BE08C</b> | < 25 µm (< 0.000984") | 240 mm/s (9.449"/s)  | 0.000239 mm/s (0.000009"/s) | 0.000239 mm/s (0.000009"/s) |
| <b>X-LRT0500AL-E08C</b>  | < 12 µm (< 0.000472") | 45 mm/s (1.772"/s)   | 0.000076 mm/s (0.000003"/s) | 0.000076 mm/s (0.000003"/s) |
| <b>X-LRT0500BL-E08C</b>  | < 45 µm (< 0.001772") | 175 mm/s (6.890"/s)  | 0.000303 mm/s (0.000012"/s) | 0.000303 mm/s (0.000012"/s) |
| <b>X-LRT0500BL-BE08C</b> | < 45 µm (< 0.001772") | 175 mm/s (6.890"/s)  | 0.000303 mm/s (0.000012"/s) | 0.000303 mm/s (0.000012"/s) |
| <b>X-LRT0500DL-E08C</b>  | < 75 µm (< 0.002953") | 700 mm/s (27.559"/s) | 0.001212 mm/s (0.000048"/s) | 0.001212 mm/s (0.000048"/s) |
| <b>X-LRT0500DL-BE08C</b> | < 75 µm (< 0.002953") | 700 mm/s (27.559"/s) | 0.001212 mm/s (0.000048"/s) | 0.001212 mm/s (0.000048"/s) |
| <b>X-LRT0500HL-E08C</b>  | < 25 µm (< 0.000984") | 240 mm/s (9.449"/s)  | 0.000239 mm/s (0.000009"/s) | 0.000239 mm/s (0.000009"/s) |
| <b>X-LRT0500HL-BE08C</b> | < 25 µm (< 0.000984") | 240 mm/s (9.449"/s)  | 0.000239 mm/s (0.000009"/s) | 0.000239 mm/s (0.000009"/s) |
| <b>X-LRT0750AL-E08C</b>  | < 12 µm (< 0.000472") | 45 mm/s (1.772"/s)   | 0.000076 mm/s (0.000003"/s) | 0.000076 mm/s (0.000003"/s) |
| <b>X-LRT0750BL-E08C</b>  | < 45 µm (< 0.001772") | 175 mm/s (6.890"/s)  | 0.000303 mm/s (0.000012"/s) | 0.000303 mm/s (0.000012"/s) |
| <b>X-LRT0750BL-BE08C</b> | < 45 µm (< 0.001772") | 175 mm/s (6.890"/s)  | 0.000303 mm/s (0.000012"/s) | 0.000303 mm/s (0.000012"/s) |
| <b>X-LRT0750DL-E08C</b>  | < 75 µm (< 0.002953") | 700 mm/s (27.559"/s) | 0.001212 mm/s (0.000048"/s) | 0.001212 mm/s (0.000048"/s) |
| <b>X-LRT0750DL-BE08C</b> | < 75 µm (< 0.002953") | 700 mm/s (27.559"/s) | 0.001212 mm/s (0.000048"/s) | 0.001212 mm/s (0.000048"/s) |
| <b>X-LRT0750HL-E08C</b>  | < 25 µm (< 0.000984") | 150 mm/s (5.905"/s)  | 0.000239 mm/s (0.000009"/s) | 0.000239 mm/s (0.000009"/s) |
| <b>X-LRT0750HL-BE08C</b> | < 25 µm (< 0.000984") | 150 mm/s (5.905"/s)  | 0.000239 mm/s (0.000009"/s) | 0.000239 mm/s (0.000009"/s) |
| <b>X-LRT1000AL-E08C</b>  | < 12 µm (< 0.000472") | 28 mm/s (1.102"/s)   | 0.000076 mm/s (0.000003"/s) | 0.000076 mm/s (0.000003"/s) |
| <b>X-LRT1000BL-E08C</b>  | < 45 µm (< 0.001772") | 120 mm/s (4.724"/s)  | 0.000303 mm/s (0.000012"/s) | 0.000303 mm/s (0.000012"/s) |
| <b>X-LRT1000BL-BE08C</b> | < 45 µm (< 0.001772") | 120 mm/s (4.724"/s)  | 0.000303 mm/s (0.000012"/s) | 0.000303 mm/s (0.000012"/s) |
| <b>X-LRT1000DL-E08C</b>  | < 75 µm (< 0.002953") | 500 mm/s (19.685"/s) | 0.001212 mm/s (0.000048"/s) | 0.001212 mm/s (0.000048"/s) |
| <b>X-LRT1000DL-BE08C</b> | < 75 µm (< 0.002953") | 500 mm/s (19.685"/s) | 0.001212 mm/s (0.000048"/s) | 0.001212 mm/s (0.000048"/s) |
| <b>X-LRT1000HL-E08C</b>  | < 25 µm (< 0.000984") | 95 mm/s (3.740"/s)   | 0.000239 mm/s (0.000009"/s) | 0.000239 mm/s (0.000009"/s) |
| <b>X-LRT1000HL-BE08C</b> | < 25 µm (< 0.000984") | 95 mm/s (3.740"/s)   | 0.000239 mm/s (0.000009"/s) | 0.000239 mm/s (0.000009"/s) |
| <b>X-LRT1500AL-E08C</b>  | < 12 µm (< 0.000472") | 13 mm/s (0.512"/s)   | 0.000076 mm/s (0.000003"/s) | 0.000076 mm/s (0.000003"/s) |
| <b>X-LRT1500BL-E08C</b>  | < 45 µm (< 0.001772") | 55 mm/s (2.165"/s)   | 0.000303 mm/s (0.000012"/s) | 0.000303 mm/s (0.000012"/s) |
| <b>X-LRT1500BL-BE08C</b> | < 45 µm (< 0.001772") | 55 mm/s (2.165"/s)   | 0.000303 mm/s (0.000012"/s) | 0.000303 mm/s (0.000012"/s) |

| Part Number              | Backlash              | Maximum Speed       | Minimum Speed                  | Speed Resolution               |
|--------------------------|-----------------------|---------------------|--------------------------------|--------------------------------|
| <b>X-LRT1500DL-E08C</b>  | < 75 µm (< 0.002953") | 225 mm/s (8.858"/s) | 0.001212 mm/s<br>(0.000048"/s) | 0.001212 mm/s<br>(0.000048"/s) |
| <b>X-LRT1500DL-BE08C</b> | < 75 µm (< 0.002953") | 225 mm/s (8.858"/s) | 0.001212 mm/s<br>(0.000048"/s) | 0.001212 mm/s<br>(0.000048"/s) |

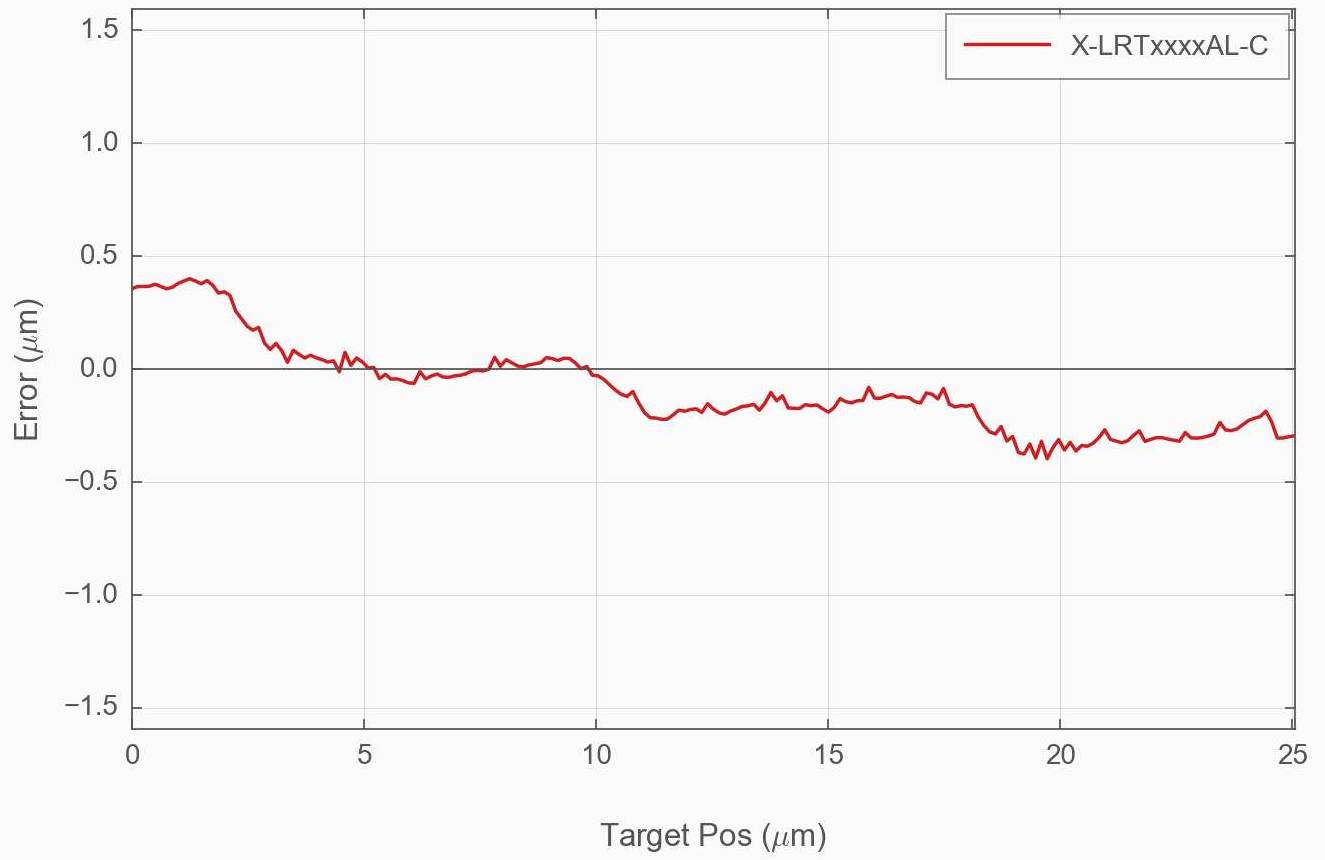
| Part Number              | Peak Thrust       | Back-driving Force*        | Maximum Continuous Thrust | Linear Motion Per Motor Rev |
|--------------------------|-------------------|----------------------------|---------------------------|-----------------------------|
| <b>X-LRT0100AL-E08C</b>  | 1200 N (269.1 lb) | Non-back-driving           | 1200 N (269.1 lb)         | 1.5875 mm (0.062")          |
| <b>X-LRT0100BL-E08C</b>  | 600 N (134.6 lb)  | 420 N (94.2 lb)<br>(± 30%) | 600 N (134.6 lb)          | 6.35 mm (0.250")            |
| <b>X-LRT0100BL-BE08C</b> | 600 N (134.6 lb)  | 420 N (94.2 lb)<br>(± 30%) | 600 N (134.6 lb)          | 6.35 mm (0.250")            |
| <b>X-LRT0100DL-E08C</b>  | 200 N (44.9 lb)   | 40 N (9.0 lb)<br>(± 30%)   | 180 N (40.4 lb)           | 25.4 mm (1.000")            |
| <b>X-LRT0100DL-BE08C</b> | 200 N (44.9 lb)   | 40 N (9.0 lb)<br>(± 30%)   | 180 N (40.4 lb)           | 25.4 mm (1.000")            |
| <b>X-LRT0100HL-E08C</b>  | 1200 N (269.1 lb) | 157 N (35.2 lb)<br>(± 30%) | 1200 N (269.1 lb)         | 5 mm (0.197")               |
| <b>X-LRT0100HL-BE08C</b> | 1200 N (269.1 lb) | 157 N (35.2 lb)<br>(± 30%) | 1200 N (269.1 lb)         | 5 mm (0.197")               |
| <b>X-LRT0250AL-E08C</b>  | 1200 N (269.1 lb) | Non-back-driving           | 1200 N (269.1 lb)         | 1.5875 mm (0.062")          |
| <b>X-LRT0250BL-E08C</b>  | 600 N (134.6 lb)  | 420 N (94.2 lb)<br>(± 30%) | 600 N (134.6 lb)          | 6.35 mm (0.250")            |
| <b>X-LRT0250BL-BE08C</b> | 600 N (134.6 lb)  | 420 N (94.2 lb)<br>(± 30%) | 600 N (134.6 lb)          | 6.35 mm (0.250")            |
| <b>X-LRT0250DL-E08C</b>  | 200 N (44.9 lb)   | 40 N (9.0 lb)<br>(± 30%)   | 180 N (40.4 lb)           | 25.4 mm (1.000")            |
| <b>X-LRT0250DL-BE08C</b> | 200 N (44.9 lb)   | 40 N (9.0 lb)<br>(± 30%)   | 180 N (40.4 lb)           | 25.4 mm (1.000")            |
| <b>X-LRT0250HL-E08C</b>  | 1200 N (269.1 lb) | 157 N (35.2 lb)<br>(± 30%) | 1200 N (269.1 lb)         | 5 mm (0.197")               |
| <b>X-LRT0250HL-BE08C</b> | 1200 N (269.1 lb) | 157 N (35.2 lb)<br>(± 30%) | 1200 N (269.1 lb)         | 5 mm (0.197")               |
| <b>X-LRT0500AL-E08C</b>  | 1200 N (269.1 lb) | Non-back-driving           | 1200 N (269.1 lb)         | 1.5875 mm (0.062")          |
| <b>X-LRT0500BL-E08C</b>  | 600 N (134.6 lb)  | 420 N (94.2 lb)<br>(± 30%) | 600 N (134.6 lb)          | 6.35 mm (0.250")            |
| <b>X-LRT0500BL-BE08C</b> | 600 N (134.6 lb)  | 420 N (94.2 lb)<br>(± 30%) | 600 N (134.6 lb)          | 6.35 mm (0.250")            |
| <b>X-LRT0500DL-E08C</b>  | 200 N (44.9 lb)   | 40 N (9.0 lb)<br>(± 30%)   | 180 N (40.4 lb)           | 25.4 mm (1.000")            |
| <b>X-LRT0500DL-BE08C</b> | 200 N (44.9 lb)   | 40 N (9.0 lb)<br>(± 30%)   | 180 N (40.4 lb)           | 25.4 mm (1.000")            |
| <b>X-LRT0500HL-E08C</b>  | 1200 N (269.1 lb) | 157 N (35.2 lb)<br>(± 30%) | 1200 N (269.1 lb)         | 5 mm (0.197")               |
| <b>X-LRT0500HL-BE08C</b> | 1200 N (269.1 lb) | 157 N (35.2 lb)<br>(± 30%) | 1200 N (269.1 lb)         | 5 mm (0.197")               |
| <b>X-LRT0750AL-E08C</b>  | 1200 N (269.1 lb) | Non-back-driving           | 1200 N (269.1 lb)         | 1.5875 mm (0.062")          |
| <b>X-LRT0750BL-E08C</b>  | 600 N (134.6 lb)  | 420 N (94.2 lb)<br>(± 30%) | 600 N (134.6 lb)          | 6.35 mm (0.250")            |

| Part Number              | Peak Thrust       | Back-driving Force*        | Maximum Continuous Thrust | Linear Motion Per Motor Rev |
|--------------------------|-------------------|----------------------------|---------------------------|-----------------------------|
| <b>X-LRT0750BL-BE08C</b> | 600 N (134.6 lb)  | 420 N (94.2 lb)<br>(± 30%) | 600 N (134.6 lb)          | 6.35 mm (0.250")            |
| <b>X-LRT0750DL-E08C</b>  | 200 N (44.9 lb)   | 40 N (9.0 lb)<br>(± 30%)   | 180 N (40.4 lb)           | 25.4 mm (1.000")            |
| <b>X-LRT0750DL-BE08C</b> | 200 N (44.9 lb)   | 40 N (9.0 lb)<br>(± 30%)   | 180 N (40.4 lb)           | 25.4 mm (1.000")            |
| <b>X-LRT0750HL-E08C</b>  | 1200 N (269.1 lb) | 157 N (35.2 lb)<br>(± 30%) | 1200 N (269.1 lb)         | 5 mm (0.197")               |
| <b>X-LRT0750HL-BE08C</b> | 1200 N (269.1 lb) | 157 N (35.2 lb)<br>(± 30%) | 1200 N (269.1 lb)         | 5 mm (0.197")               |
| <b>X-LRT1000AL-E08C</b>  | 1200 N (269.1 lb) | Non-back-driving           | 1200 N (269.1 lb)         | 1.5875 mm (0.062")          |
| <b>X-LRT1000BL-E08C</b>  | 600 N (134.6 lb)  | 420 N (94.2 lb)<br>(± 30%) | 600 N (134.6 lb)          | 6.35 mm (0.250")            |
| <b>X-LRT1000BL-BE08C</b> | 600 N (134.6 lb)  | 420 N (94.2 lb)<br>(± 30%) | 600 N (134.6 lb)          | 6.35 mm (0.250")            |
| <b>X-LRT1000DL-E08C</b>  | 200 N (44.9 lb)   | 40 N (9.0 lb)<br>(± 30%)   | 180 N (40.4 lb)           | 25.4 mm (1.000")            |
| <b>X-LRT1000DL-BE08C</b> | 200 N (44.9 lb)   | 40 N (9.0 lb)<br>(± 30%)   | 180 N (40.4 lb)           | 25.4 mm (1.000")            |
| <b>X-LRT1000HL-E08C</b>  | 1200 N (269.1 lb) | 157 N (35.2 lb)<br>(± 30%) | 1200 N (269.1 lb)         | 5 mm (0.197")               |
| <b>X-LRT1000HL-BE08C</b> | 1200 N (269.1 lb) | 157 N (35.2 lb)<br>(± 30%) | 1200 N (269.1 lb)         | 5 mm (0.197")               |
| <b>X-LRT1500AL-E08C</b>  | 1200 N (269.1 lb) | Non-back-driving           | 1200 N (269.1 lb)         | 1.5875 mm (0.062")          |
| <b>X-LRT1500BL-E08C</b>  | 600 N (134.6 lb)  | 420 N (94.2 lb)<br>(± 30%) | 600 N (134.6 lb)          | 6.35 mm (0.250")            |
| <b>X-LRT1500BL-BE08C</b> | 600 N (134.6 lb)  | 420 N (94.2 lb)<br>(± 30%) | 600 N (134.6 lb)          | 6.35 mm (0.250")            |
| <b>X-LRT1500DL-E08C</b>  | 200 N (44.9 lb)   | 40 N (9.0 lb)<br>(± 30%)   | 180 N (40.4 lb)           | 25.4 mm (1.000")            |
| <b>X-LRT1500DL-BE08C</b> | 200 N (44.9 lb)   | 40 N (9.0 lb)<br>(± 30%)   | 180 N (40.4 lb)           | 25.4 mm (1.000")            |

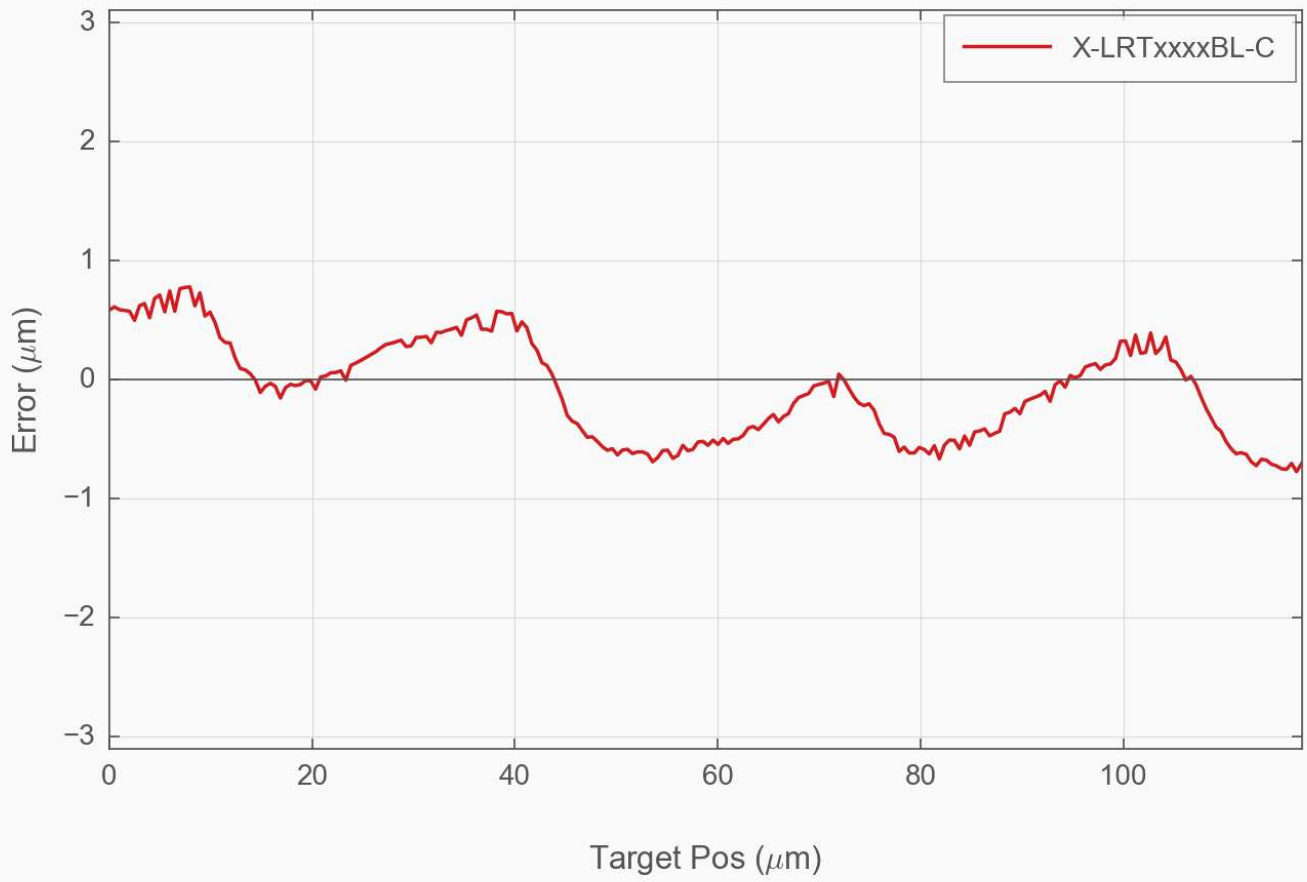
| Part Number              | Mechanical Drive System | Maximum Axial Brake Force | Weight               |
|--------------------------|-------------------------|---------------------------|----------------------|
| <b>X-LRT0100AL-E08C</b>  | Precision lead screw    |                           | 3.65 kg (8.047 lb)   |
| <b>X-LRT0100BL-E08C</b>  | Precision lead screw    |                           | 3.65 kg (8.047 lb)   |
| <b>X-LRT0100BL-BE08C</b> | Precision lead screw    | 600 N (134.9 lb)          | 4.276 kg (9.427 lb)  |
| <b>X-LRT0100DL-E08C</b>  | Precision lead screw    |                           | 3.65 kg (8.047 lb)   |
| <b>X-LRT0100DL-BE08C</b> | Precision lead screw    | 180 N (40.5 lb)           | 4.276 kg (9.427 lb)  |
| <b>X-LRT0100HL-E08C</b>  | Precision ball screw    |                           | 3.65 kg (8.047 lb)   |
| <b>X-LRT0100HL-BE08C</b> | Precision ball screw    | 1200 N (269.8 lb)         | 4.276 kg (9.427 lb)  |
| <b>X-LRT0250AL-E08C</b>  | Precision lead screw    |                           | 4.441 kg (9.791 lb)  |
| <b>X-LRT0250BL-E08C</b>  | Precision lead screw    |                           | 4.441 kg (9.791 lb)  |
| <b>X-LRT0250BL-BE08C</b> | Precision lead screw    | 600 N (134.9 lb)          | 5.067 kg (11.171 lb) |
| <b>X-LRT0250DL-E08C</b>  | Precision lead screw    |                           | 4.441 kg (9.791 lb)  |
| <b>X-LRT0250DL-BE08C</b> | Precision lead screw    | 180 N (40.5 lb)           | 5.067 kg (11.171 lb) |
| <b>X-LRT0250HL-E08C</b>  | Precision ball screw    |                           | 4.441 kg (9.791 lb)  |

| Part Number       | Mechanical Drive System | Maximum Axial Brake Force | Weight                |
|-------------------|-------------------------|---------------------------|-----------------------|
| X-LRT0250HL-BE08C | Precision ball screw    | 1200 N (269.8 lb)         | 5.067 kg (11.171 lb)  |
| X-LRT0500AL-E08C  | Precision lead screw    |                           | 5.758 kg (12.694 lb)  |
| X-LRT0500BL-E08C  | Precision lead screw    |                           | 5.758 kg (12.694 lb)  |
| X-LRT0500BL-BE08C | Precision lead screw    | 600 N (134.9 lb)          | 6.384 kg (14.074 lb)  |
| X-LRT0500DL-E08C  | Precision lead screw    |                           | 5.758 kg (12.694 lb)  |
| X-LRT0500DL-BE08C | Precision lead screw    | 180 N (40.5 lb)           | 6.384 kg (14.074 lb)  |
| X-LRT0500HL-E08C  | Precision ball screw    |                           | 5.758 kg (12.694 lb)  |
| X-LRT0500HL-BE08C | Precision ball screw    | 1200 N (269.8 lb)         | 6.384 kg (14.074 lb)  |
| X-LRT0750AL-E08C  | Precision lead screw    |                           | 7.076 kg (15.600 lb)  |
| X-LRT0750BL-E08C  | Precision lead screw    |                           | 7.076 kg (15.600 lb)  |
| X-LRT0750BL-BE08C | Precision lead screw    | 600 N (134.9 lb)          | 7.702 kg (16.980 lb)  |
| X-LRT0750DL-E08C  | Precision lead screw    |                           | 7.076 kg (15.600 lb)  |
| X-LRT0750DL-BE08C | Precision lead screw    | 180 N (40.5 lb)           | 7.702 kg (16.980 lb)  |
| X-LRT0750HL-E08C  | Precision ball screw    |                           | 7.076 kg (15.600 lb)  |
| X-LRT0750HL-BE08C | Precision ball screw    | 1200 N (269.8 lb)         | 7.702 kg (16.980 lb)  |
| X-LRT1000AL-E08C  | Precision lead screw    |                           | 8.393 kg (18.503 lb)  |
| X-LRT1000BL-E08C  | Precision lead screw    |                           | 8.393 kg (18.503 lb)  |
| X-LRT1000BL-BE08C | Precision lead screw    | 600 N (134.9 lb)          | 9.019 kg (19.883 lb)  |
| X-LRT1000DL-E08C  | Precision lead screw    |                           | 8.393 kg (18.503 lb)  |
| X-LRT1000DL-BE08C | Precision lead screw    | 180 N (40.5 lb)           | 9.019 kg (19.883 lb)  |
| X-LRT1000HL-E08C  | Precision ball screw    |                           | 8.393 kg (18.503 lb)  |
| X-LRT1000HL-BE08C | Precision ball screw    | 1200 N (269.8 lb)         | 9.019 kg (19.883 lb)  |
| X-LRT1500AL-E08C  | Precision lead screw    |                           | 11.028 kg (24.313 lb) |
| X-LRT1500BL-E08C  | Precision lead screw    |                           | 11.028 kg (24.313 lb) |
| X-LRT1500BL-BE08C | Precision lead screw    | 600 N (134.9 lb)          | 11.654 kg (25.693 lb) |
| X-LRT1500DL-E08C  | Precision lead screw    |                           | 11.028 kg (24.313 lb) |
| X-LRT1500DL-BE08C | Precision lead screw    | 180 N (40.5 lb)           | 11.654 kg (25.693 lb) |

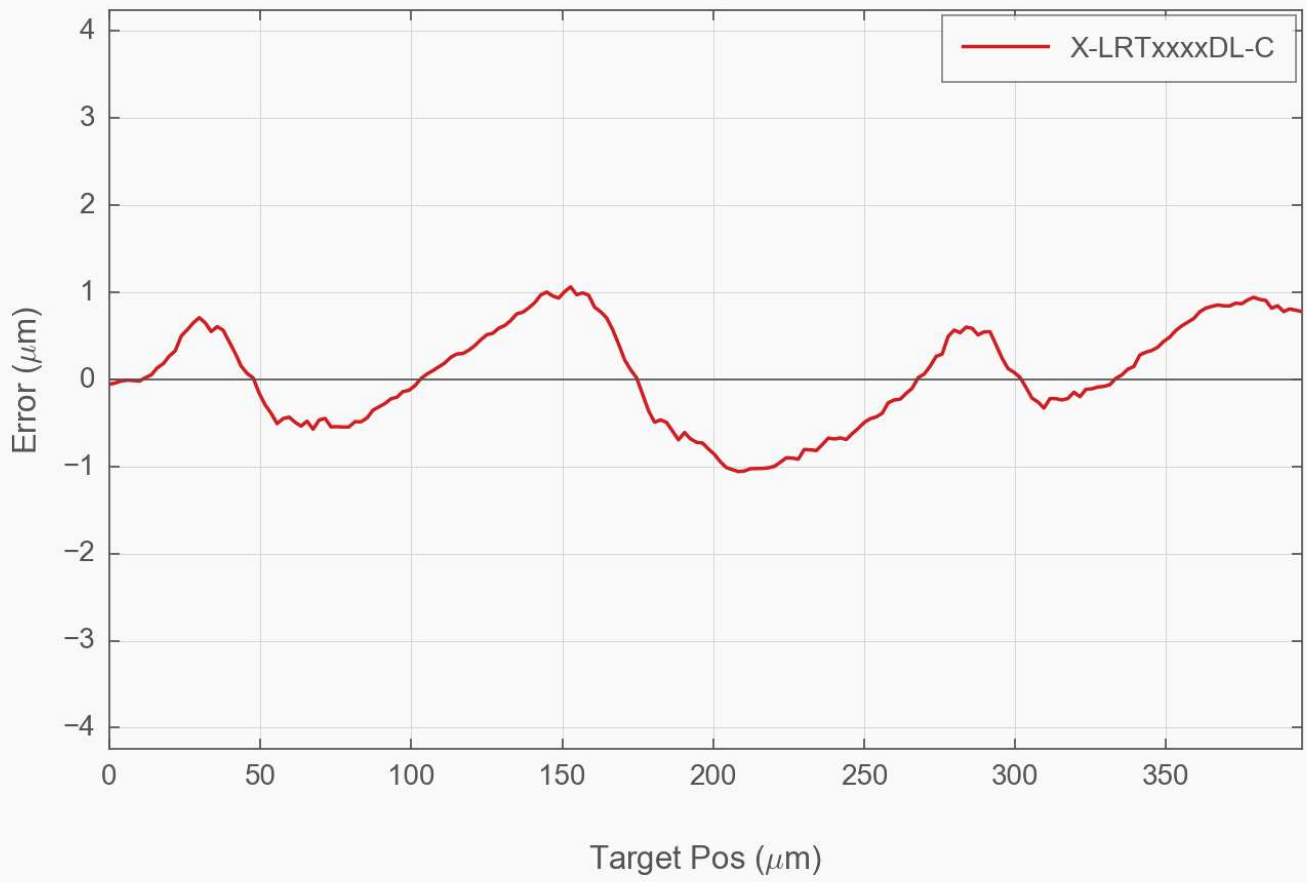
### Typical Microstepping Accuracy



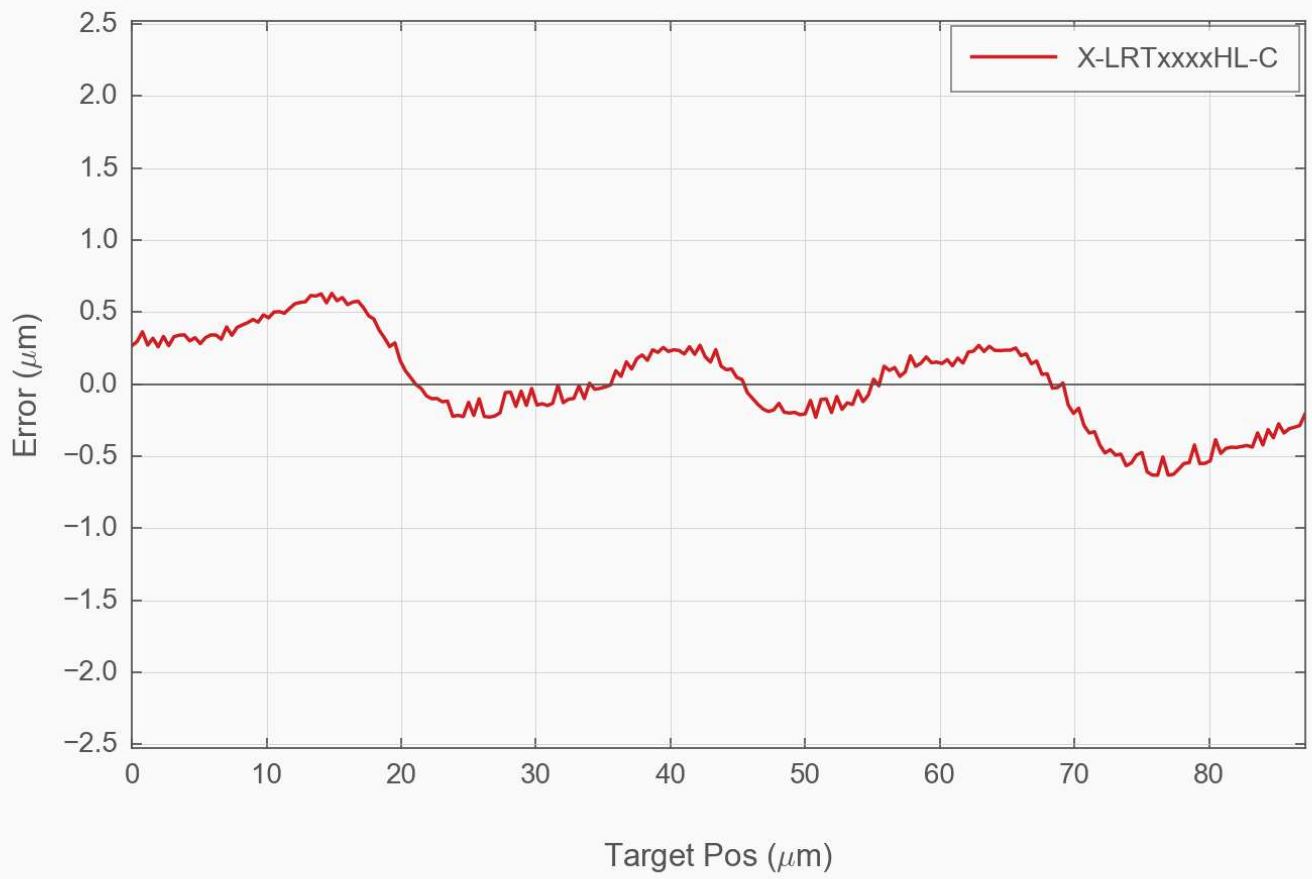
## Typical Microstepping Accuracy



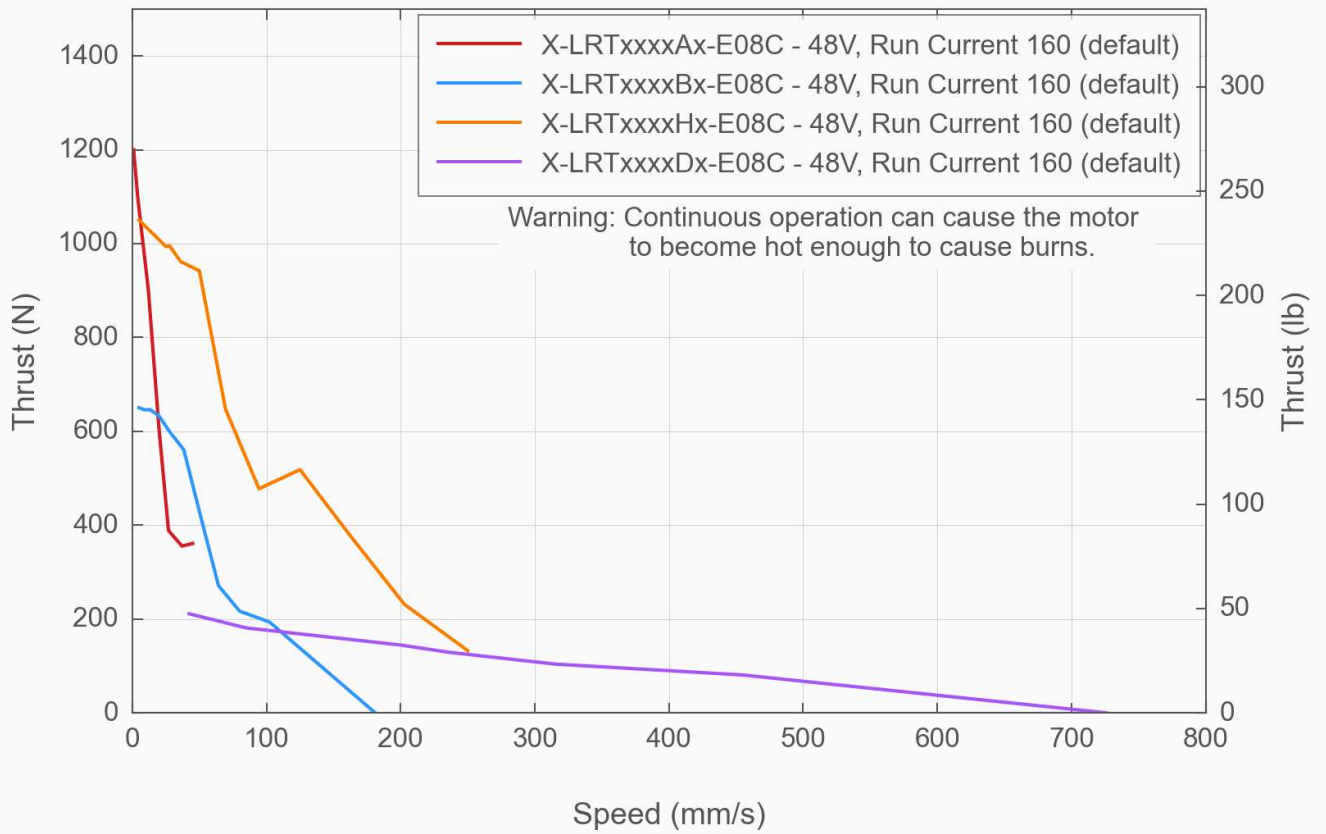
## Typical Microstepping Accuracy



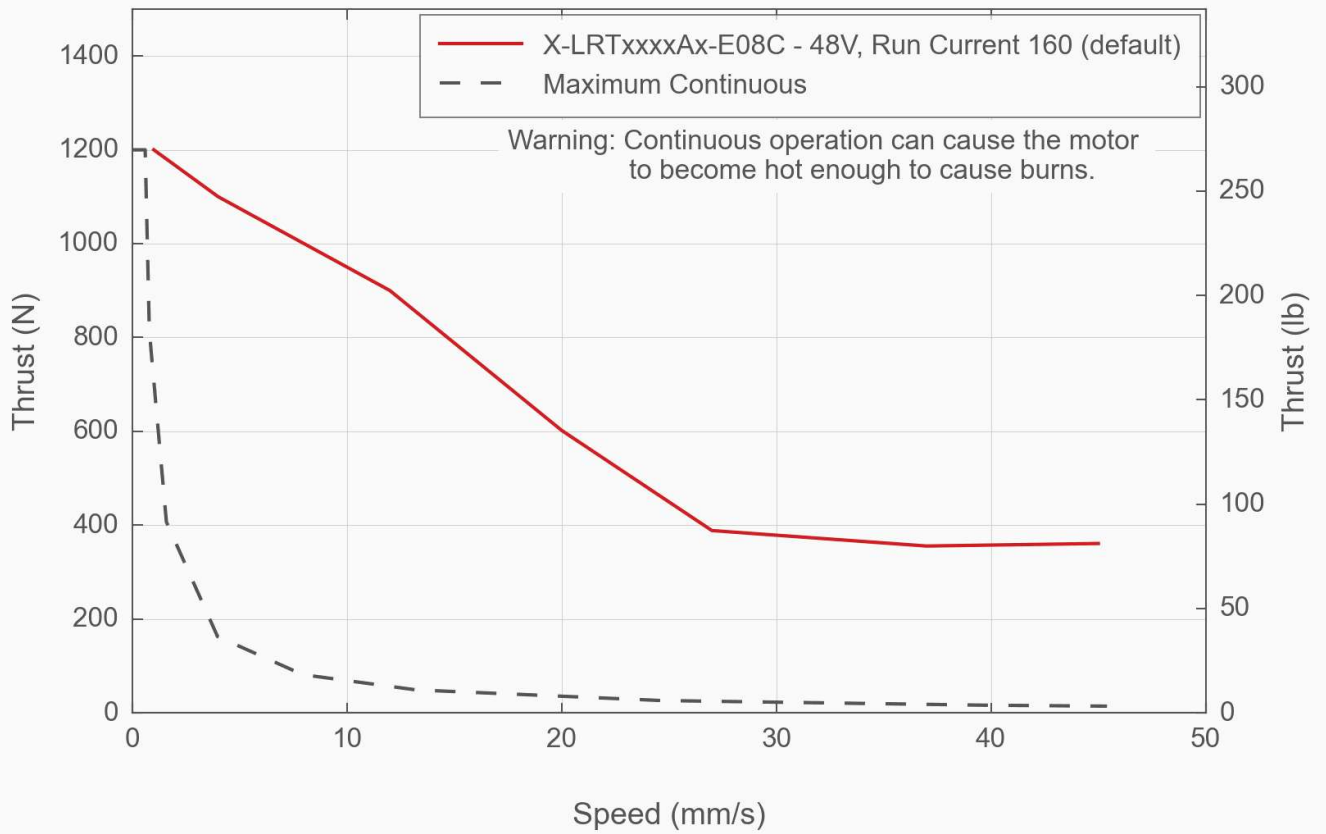
## Typical Microstepping Accuracy



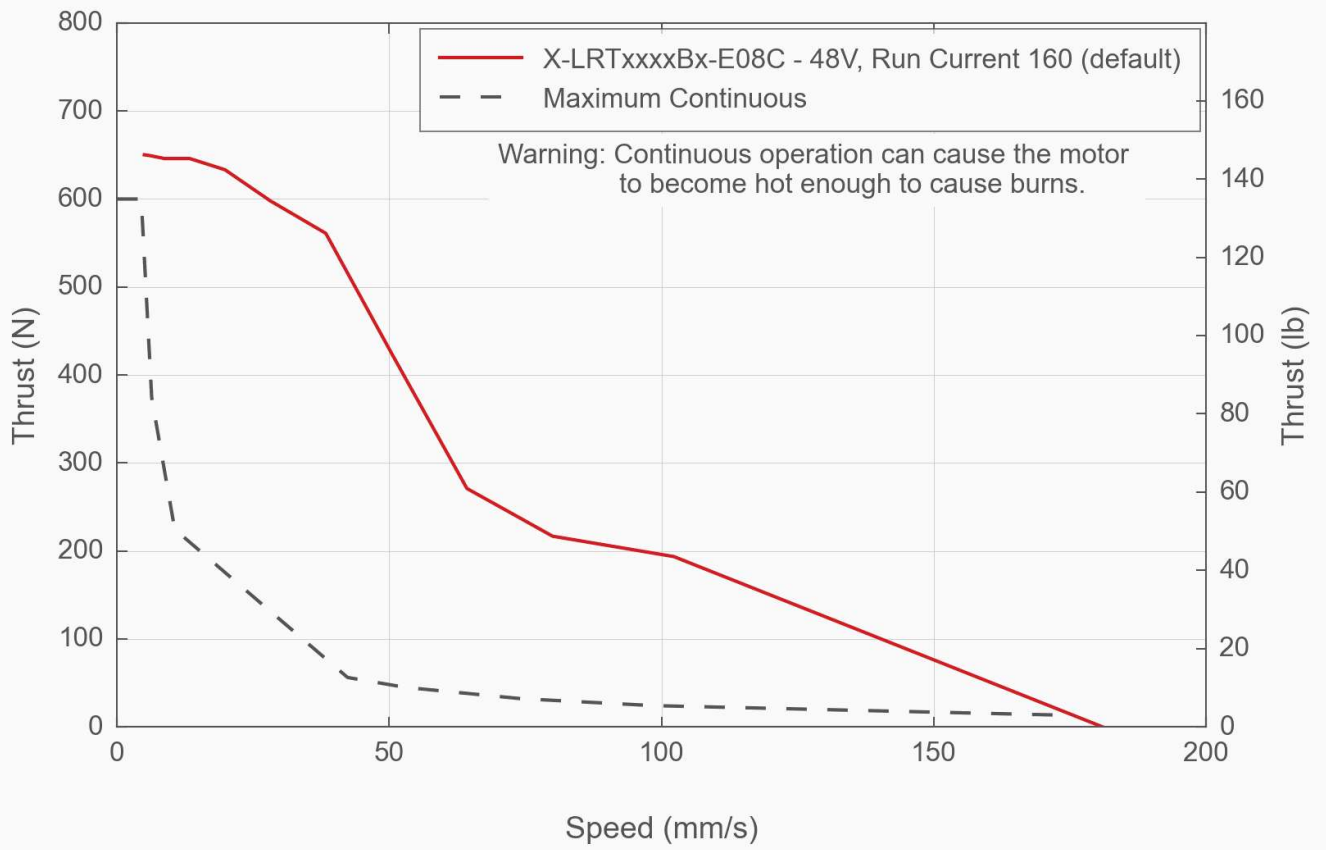
# Thrust Speed Performance



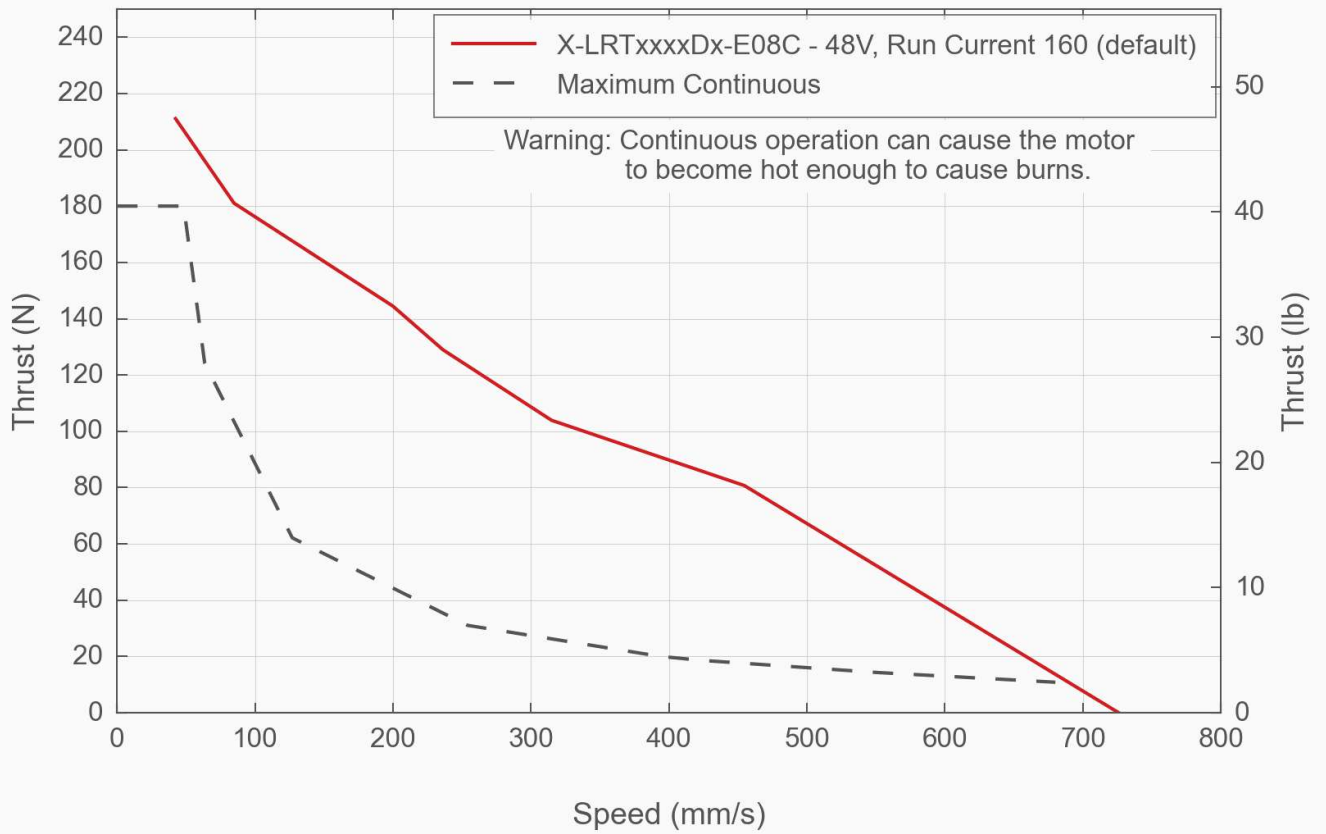
# Thrust Speed Performance



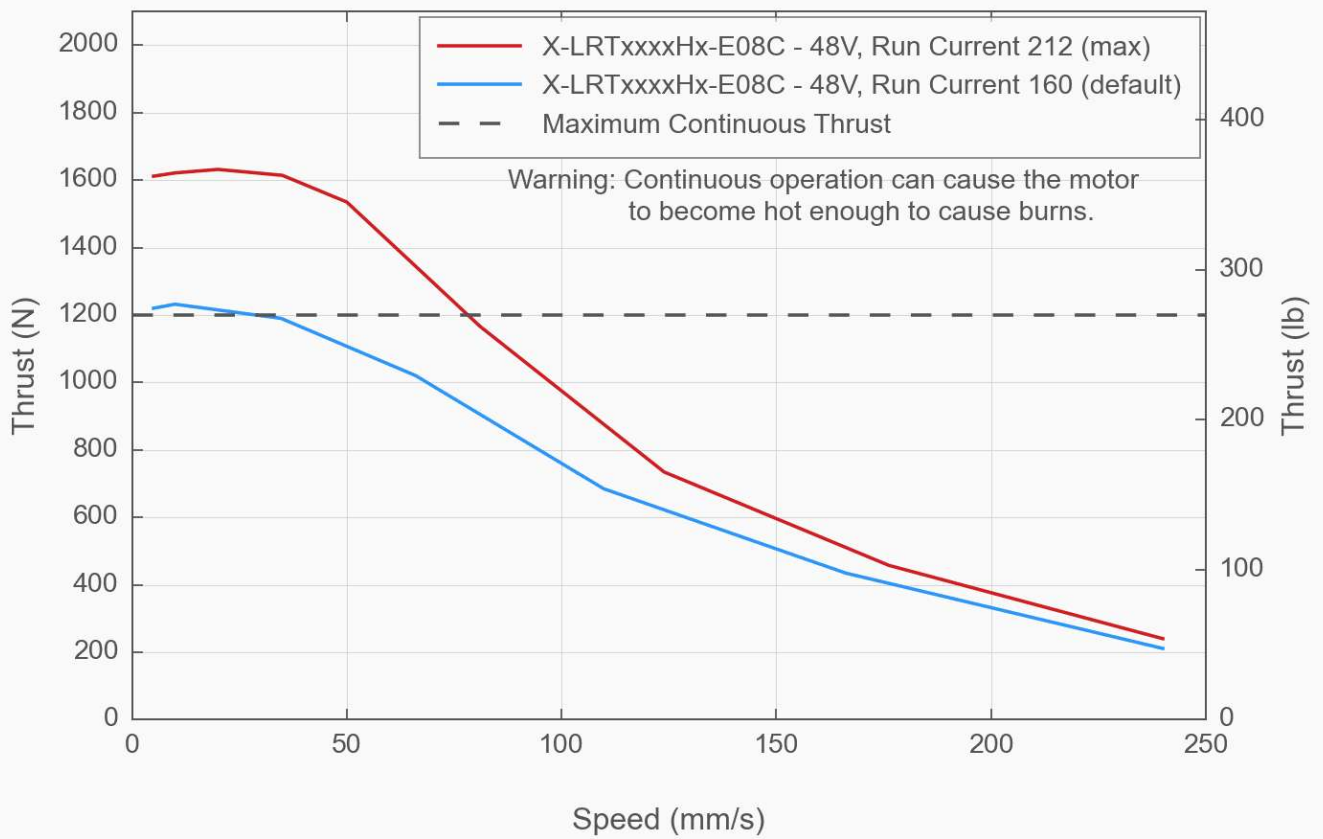
# Thrust Speed Performance



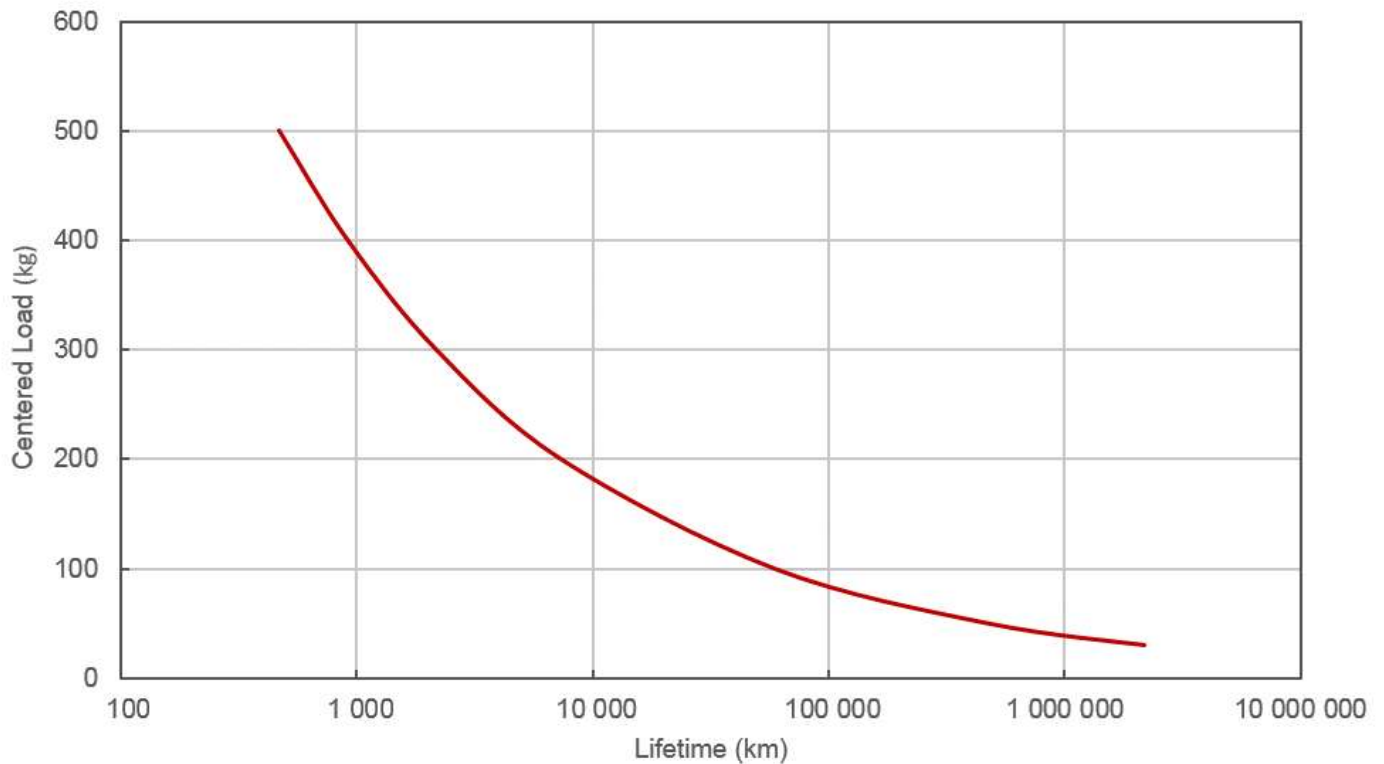
# Thrust Speed Performance



## Thrust Speed Performance



## Typical LRT Bearing Lifetime



## Product Change Notices

Click [here](#) to view the current product change notices and subscribe to future change notifications.

*This product uses the FreeRTOS kernel. FreeRTOS is © 2026 Amazon.com, Inc. or its affiliates and is governed by the following license:*

All rights reserved.

Permission is hereby granted, free of charge, to any person obtaining a copy of this software and associated documentation files (the "Software"), to deal in the Software without restriction, including without limitation the rights to use, copy, modify, merge, publish, distribute, sublicense, and/or sell copies of the Software, and to permit persons to whom the Software is furnished to do so, subject to the following conditions:

The above copyright notice and this permission notice shall be included in all copies or substantial portions of the Software.

THE SOFTWARE IS PROVIDED "AS IS", WITHOUT WARRANTY OF ANY KIND, EXPRESS OR IMPLIED, INCLUDING BUT NOT LIMITED TO THE WARRANTIES OF MERCHANTABILITY, FITNESS FOR A PARTICULAR PURPOSE AND NONINFRINGEMENT.

IN NO EVENT SHALL THE AUTHORS OR COPYRIGHT HOLDERS BE LIABLE FOR ANY CLAIM, DAMAGES OR OTHER LIABILITY, WHETHER IN AN ACTION OF CONTRACT, TORT OR OTHERWISE, ARISING FROM, OUT OF OR IN CONNECTION WITH THE SOFTWARE OR THE USE OR OTHER DEALINGS IN THE SOFTWARE.

*This product uses the LZ4 compression library. LZ4 is © 2011–2016 Yann Collet and is governed by the following license:*

All rights reserved.

Redistribution and use in source and binary forms, with or without modification, are permitted provided that the following conditions are met:

- Redistributions of source code must retain the above copyright notice, this list of conditions and the following disclaimer.
- Redistributions in binary form must reproduce the above copyright notice, this list of conditions and the following disclaimer in the documentation and/or other materials provided with the distribution.

THIS SOFTWARE IS PROVIDED BY THE COPYRIGHT HOLDERS AND CONTRIBUTORS "AS IS" AND ANY EXPRESS OR IMPLIED WARRANTIES, INCLUDING, BUT NOT LIMITED TO, THE IMPLIED WARRANTIES OF MERCHANTABILITY AND FITNESS FOR A PARTICULAR PURPOSE ARE DISCLAIMED. IN NO EVENT SHALL THE COPYRIGHT HOLDER OR CONTRIBUTORS BE LIABLE FOR ANY DIRECT, INDIRECT, INCIDENTAL, SPECIAL, EXEMPLARY, OR CONSEQUENTIAL DAMAGES (INCLUDING, BUT NOT LIMITED TO, PROCUREMENT OF SUBSTITUTE GOODS OR SERVICES; LOSS OF USE, DATA, OR PROFITS; OR BUSINESS INTERRUPTION) HOWEVER CAUSED AND ON ANY THEORY OF LIABILITY, WHETHER IN CONTRACT, STRICT LIABILITY, OR TORT (INCLUDING NEGLIGENCE OR OTHERWISE) ARISING IN ANY WAY OUT OF THE USE OF THIS SOFTWARE, EVEN IF ADVISED OF THE POSSIBILITY OF SUCH DAMAGE.