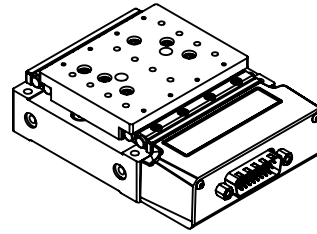


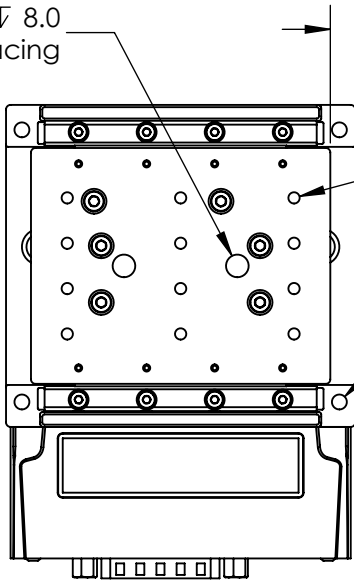
# ZABER

## DMA-AE Direct Drive Linear Stage

dimensions in mm



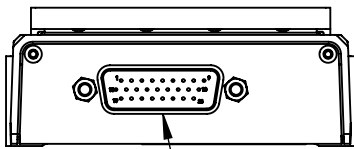
2X M6X1.0  $\nabla$  8.0  
at 25 mm spacing



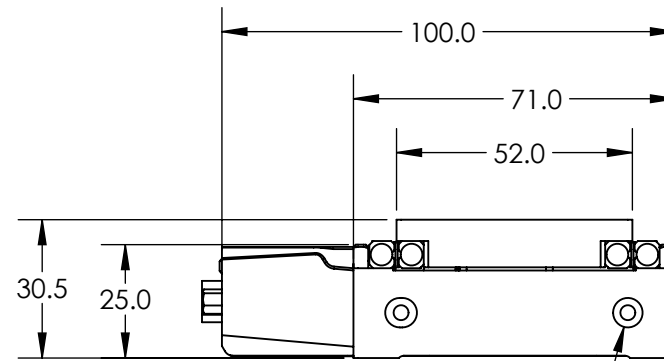
5.5  
Travel center position  
Nominal Travel  $\pm 5.0$  mm  
Hard-Stop Travel  $\pm 5.5$  mm

12X M3X0.5  $\nabla$  4.5  
at 10 mm x 25 mm grid spacing

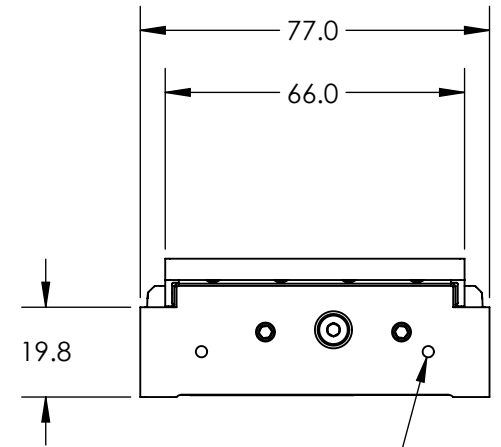
4X Mounting holes for M3 screws  
on 60 mm x 70 mm grid  
Threaded M4X0.7  $\nabla$  12.0  
from underside



D-sub26 male  
connector



2X M4x0.7  $\nabla$  5.5 at 50 mm spacing  
 $\square$   $\varnothing 6.5 \nabla 1.0$  for alignment  
Symmetric on opposite end



2X M3X0.5  $\nabla$  5.0  
at 50 mm spacing