

## NMS23-BE08T10A Datasheet



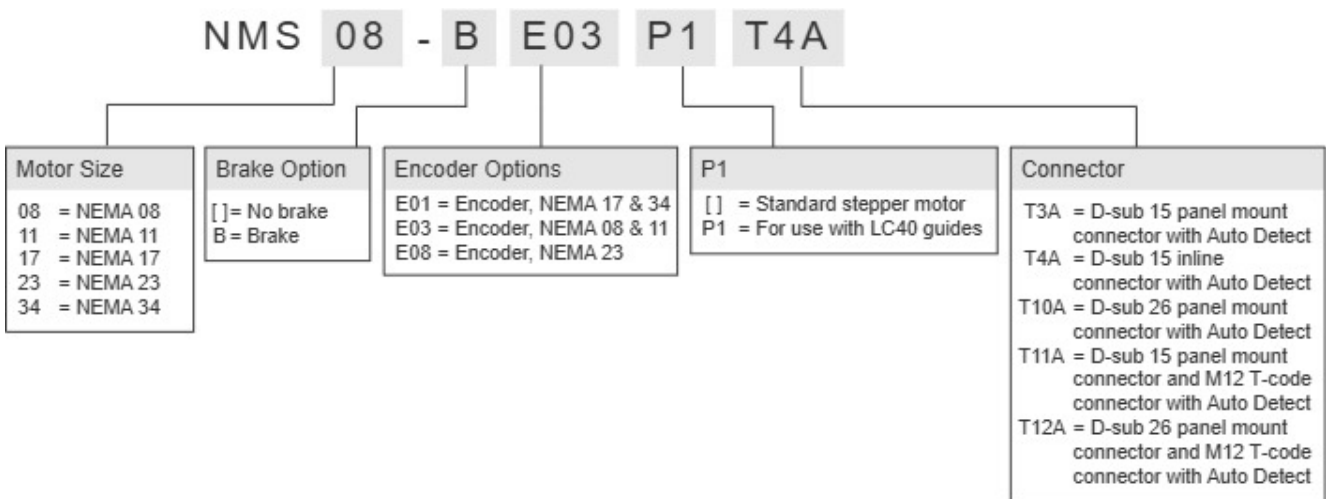
- NEMA size 08 to 34 stepper motors offer a range of size and torque
- Up to 3000 rpm speed and 5.25 N-m torque
- HS02 home sensor and magnet included
- Built-in encoders provide slip/stall detection and recovery
- Optional integrated power-off brake
- Designed for use with an X-MCC Series stepper motor controller or any 2-phase stepper motor controller
- With AutoDetect, the X-MCC controller configures its settings automatically for the connected peripheral

## NMS-E Series Overview

These NEMA stepper motors are designed to connect directly to our MCC family of controllers.. Set-up is easy with AutoDetect. Once connected, the MCC controller will automatically detect and configure the motor. The built-in encoder allows closed-loop operation and slip/stall recovery features. A detachable home sensor (HS02) and magnet are included. An optional power-off brake is available on NEMA 23 and NEMA 34 sized steppers to secure the payload across power cycles.

For more information visit: <https://www.zaber.com/products/stepper-motors/NMS-E>

## NMS-E Series Part Numbering & Options



## NMS23-BE08T10A Drawings

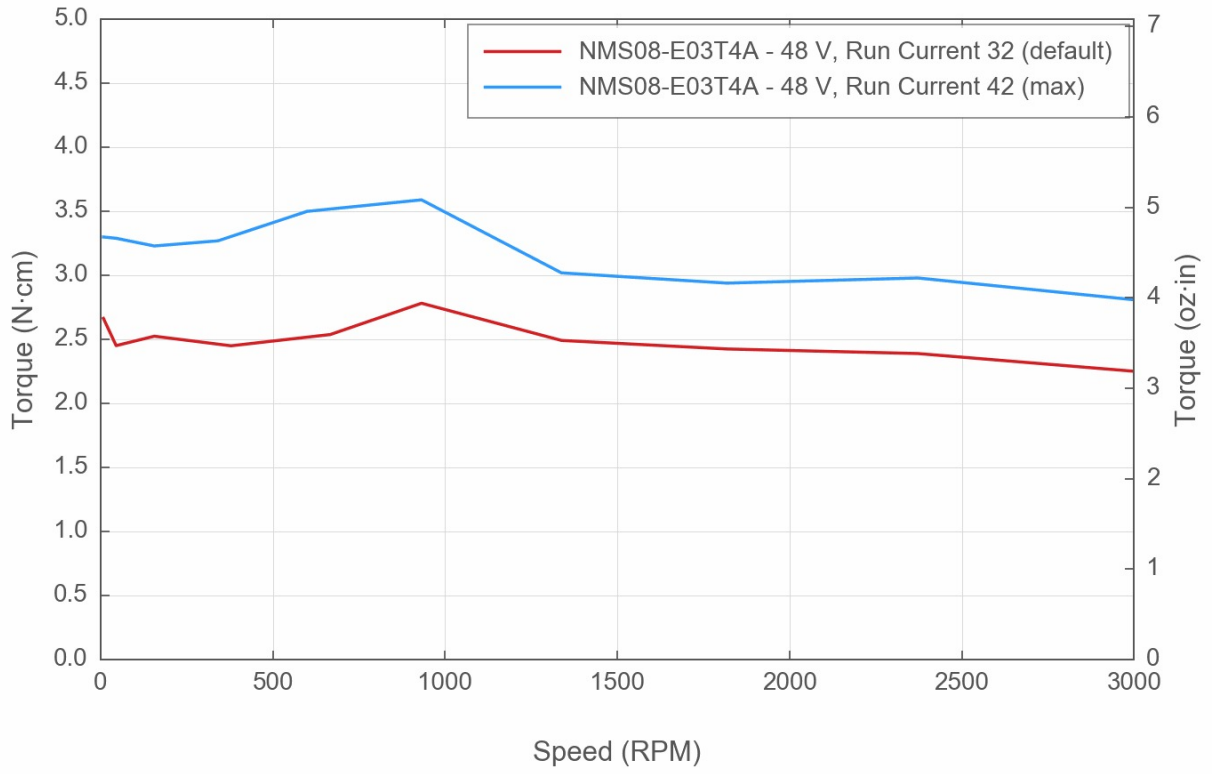
- [NMS23-BE.png \(Drawing for the NMS23-BE\)](#)

## NMS23-BE08T10A Specifications

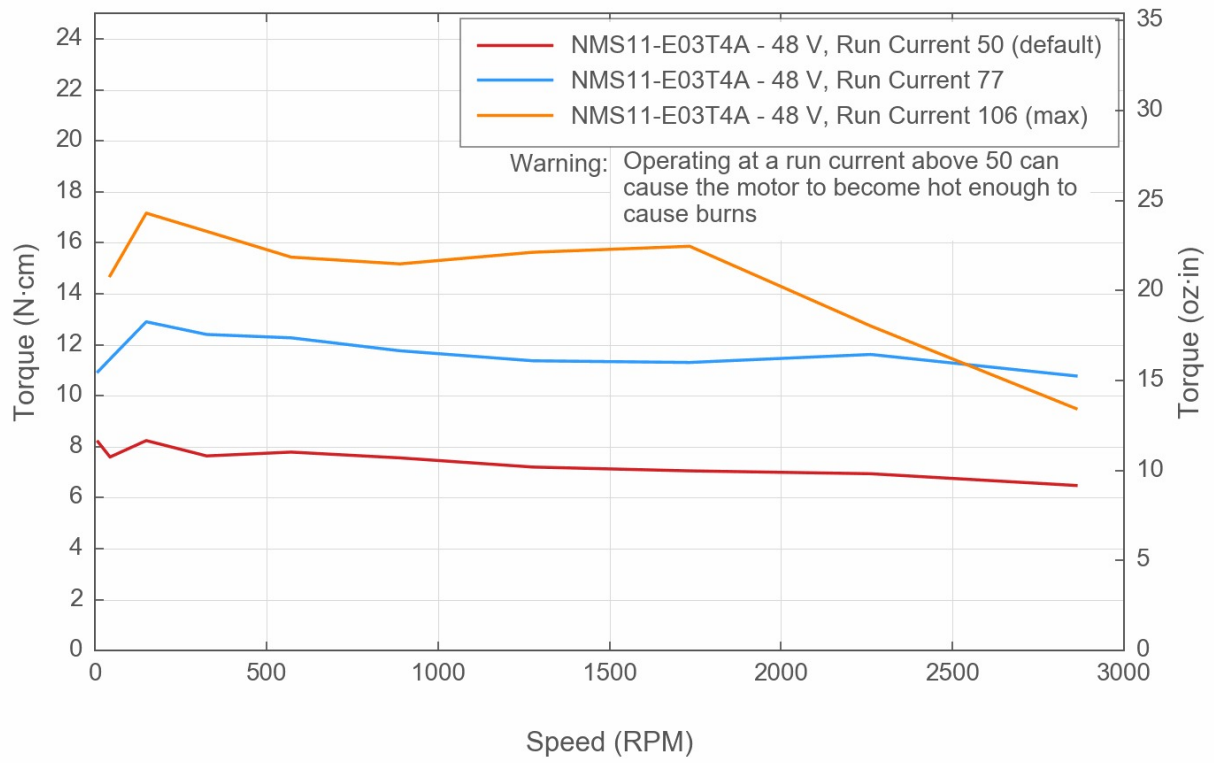
<b>Microstep Size (Default Resolution)</b>	<b>0.028125° (490.866 μrad)</b>
Built-in Controller	No
Recommended Controller	MCC (48 V) Recommended
AutoDetect	Yes
Maximum Speed	18000°/s (3000 rpm)
Minimum Speed	0.017172°/s (299.703 μrad/s)
Speed Resolution	0.017172°/s (299.703 μrad/s)
Encoder Resolution	400 CPR (1600 states/rev)
Encoder Type	Rotary quadrature encoder
Maximum Torque	180 N-cm (254.9 oz-in)
Maximum Brake Torque	150 N-cm (212.4 oz-in)
Motor Steps Per Rev	200
Motor Type	Stepper (2 phase)
Motor Rated Current	3000 mA/phase
Motor Winding Resistance	0.53 ohms/phase
Inductance	2 mH/phase
Motor Connection	D-sub 26
Motor Frame Size	NEMA 23
Limit or Home Sensing	Magnetic home sensor
Operating Temperature Range	0 to 50 °C
CE Compliant	Yes
Vacuum Compatible	No
Weight	1.926 kg (4.246 lb)

# NMS-E Series Charts

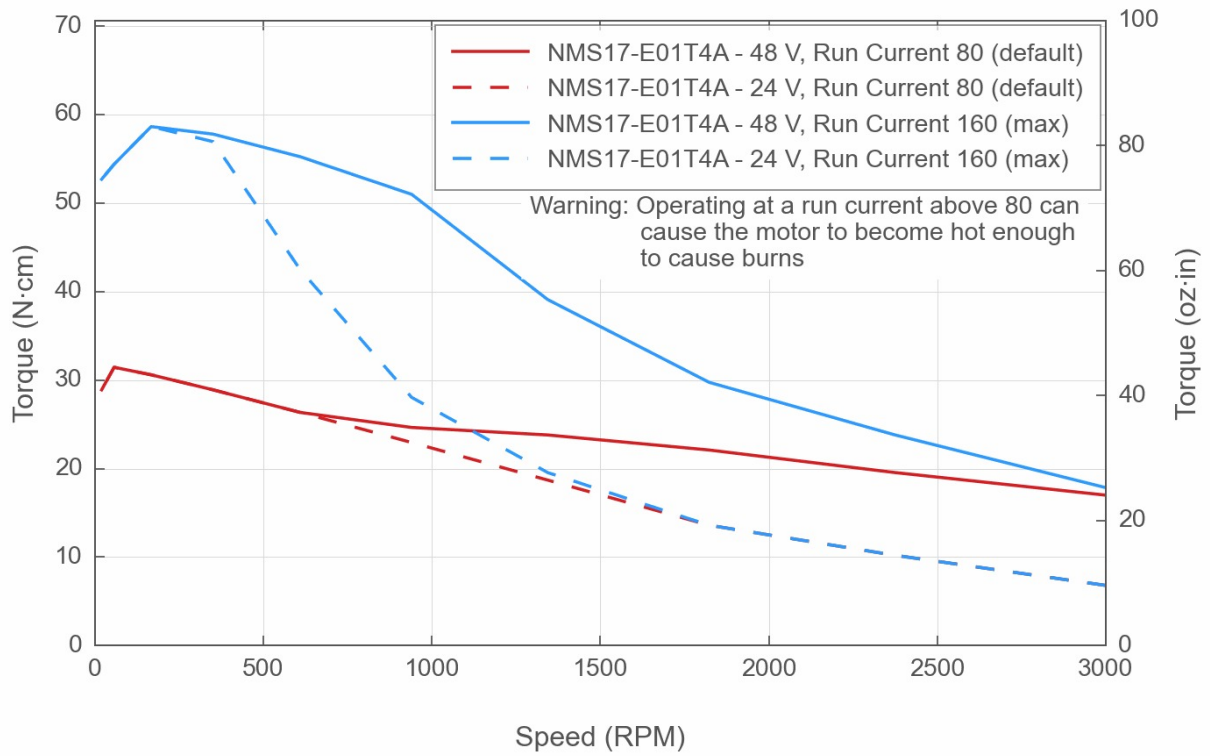
## Torque Speed Performance



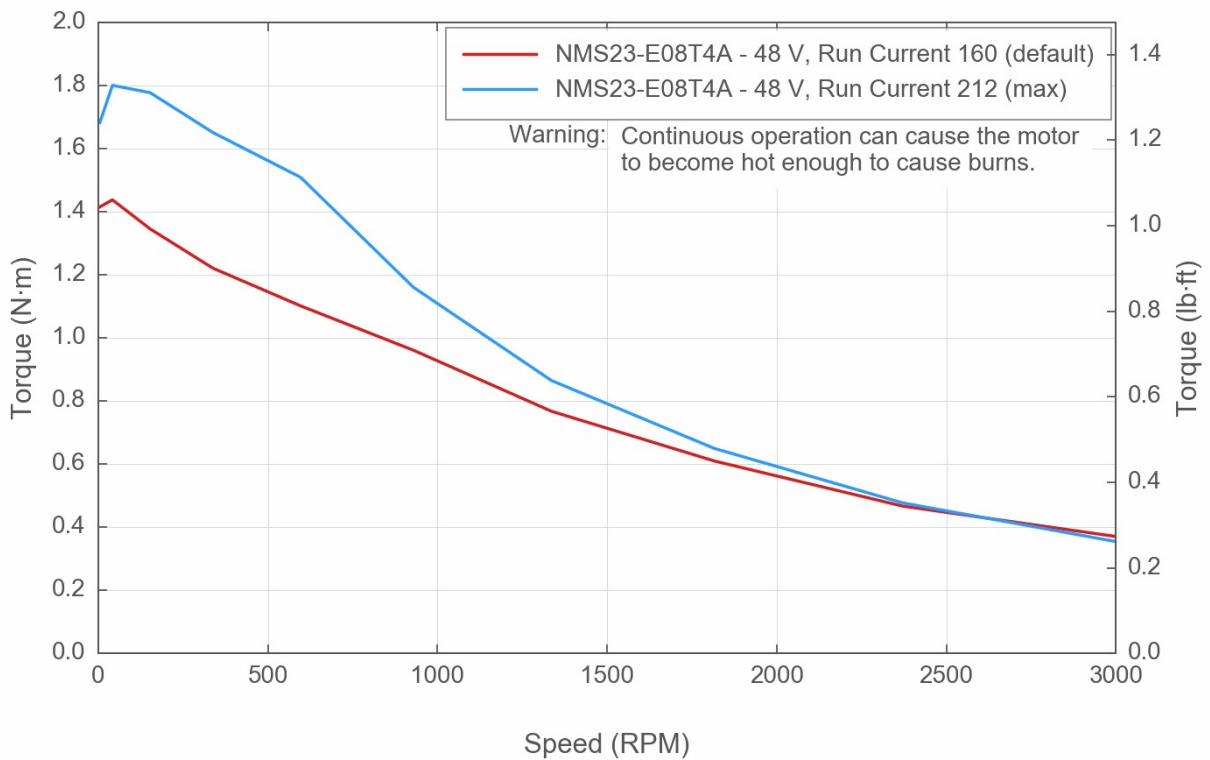
## Torque Speed Performance



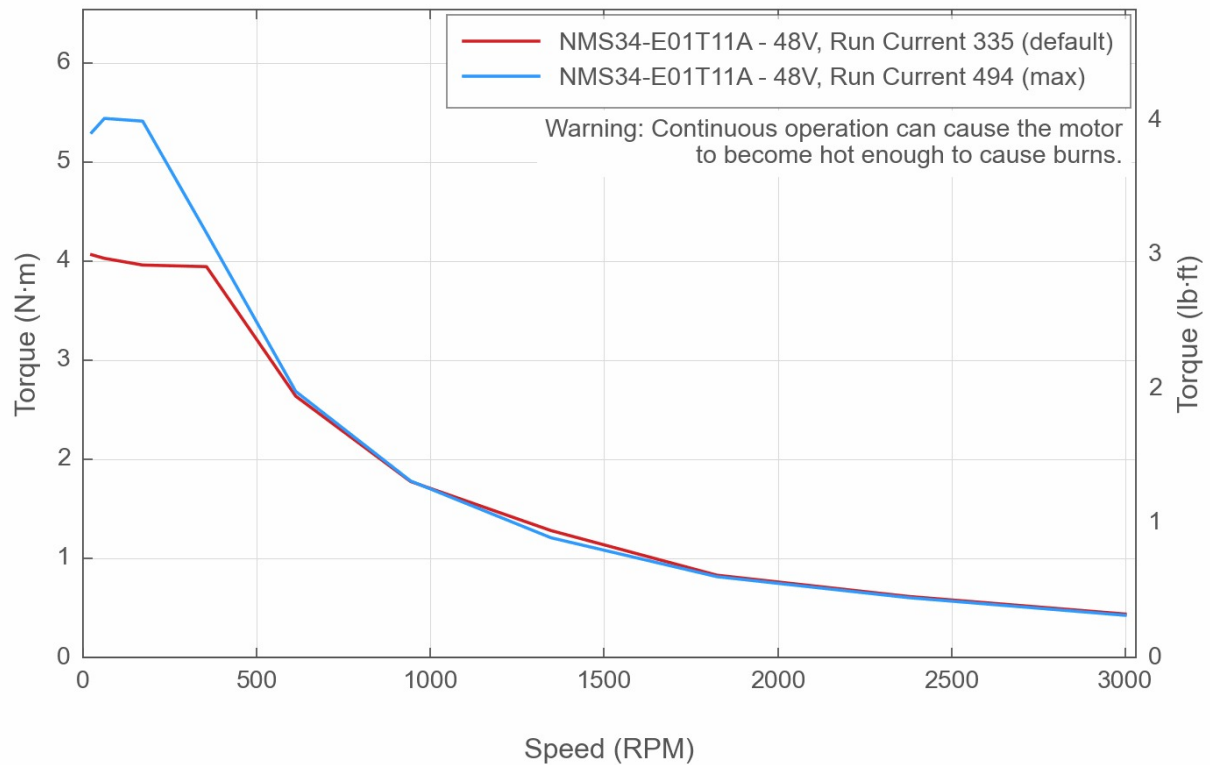
### Torque Speed Performance



### Torque Speed Performance



## Torque Speed Performance



## Contact

Email: [contact@zaber.com](mailto:contact@zaber.com)

Phone (toll free Canada/USA): 1-888-276-8033

Phone (direct): 1-604-569-3780

Fax: 1-604-648-8033

Zaber Technologies Inc.

#2 - 605 West Kent Ave. N.

Vancouver, British Columbia

Canada, V6P 6T7

<https://www.zaber.com>