

# RST240 Series User's Manual

RST240



## Disclaimer

Zaber's products are not intended for use in any critical medical, aviation, or military applications or situations where a product's use or failure could cause personal injury, death, or damage to property. Zaber disclaims any warranty of fitness for a particular purpose. The user of this product agrees to [Zaber's general terms and conditions of sale](#).

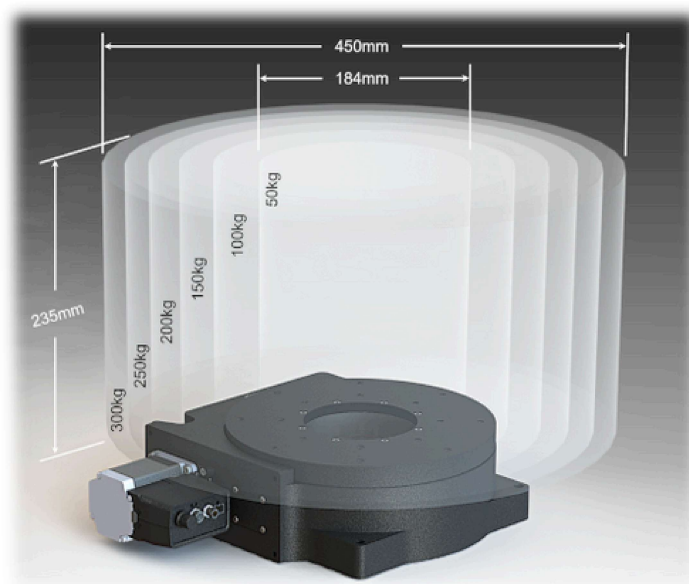
## Precautions

Zaber's autodetect peripheral axes are designed to be used effortlessly with Zaber's line of autodetect controllers. The RST240 includes onboard memory that allows Zaber's controllers to autodetect the model and set reasonable parameters. See the [Protocol Manual](#) for more information on how to modify the settings. Damage to the axis may result if the settings are not correct. To use your Zaber peripheral with a third-party controller, review the motor, sensor, and encoder specifications and pin-outs carefully.

## Noise Emissions

The A-weighted emission sound pressure level (SPL) of this device does not exceed 70 dB(A) during intended use.

## Payload Caution



This image shows a RST240 with varying payloads to demonstrate the relative size of large payloads that meet the maximum angular momentum specification of  $1.6\text{kg}\cdot\text{m}^2/\text{s}$  when rotated at the angular speeds listed below. The size of these solid cylindrical payloads was determined using the density of steel of  $8,000\text{kg}/\text{m}^3$ . The maximum allowable rotational speed of the 300kg load is  $12^\circ/\text{s}$  or 2 RPM. The rated maximum speed of the device of  $60^\circ/\text{s}$  can be safely met with a 125kg payload, or less. It is important to determine the moment of inertia of your payload. In the event of a sudden stall from high speeds, higher inertia payloads will impart large forces through the drivetrain of the RST240, resulting in possible damage.

The below table lists the maximum allowable speed a particular payload can be rotated at, in order to not exceed the maximum angular momentum of  $1.6\text{kg}\cdot\text{m}^2/\text{s}$  for the RST240.

Payload, m [kg]	Example Inertia, I [kg·m <sup>2</sup> ]	Maximum Allowable Speed, [°/s]
50	0.21	60

100	0.85	60
150	1.89	48
200	3.39	27
250	5.28	17
300	7.58	12

## Conventions used throughout this document

- Fixed width type indicates communication to and from a device. The `\r` symbol indicates a carriage return, which can be achieved by pressing enter when using a terminal program.
- An [ASCII command](#) followed by (T:xx) indicates a legacy T-Series [Binary Protocol](#) command that achieves the same result. For example, `move abs 10000 (T:20:10000)` shows that a move abs ASCII command can also be achieved with Binary command number 20.

Not all ASCII commands have an equivalent Binary counterpart.

## Device Overview

### AutoDetect

Your RST240 peripheral is equipped with AutoDetect, a feature that allows a Zaber controller to automatically configure its settings for the peripheral when it is connected.

**⚠ Important:** The controller should always be powered down before disconnecting or connecting your RST240 peripheral.

To connect the peripheral to a controller:

- Power off the controller.
- Connect the RST240 peripheral.
- Power on the controller.
- The controller will activate the peripheral shortly after it is powered on.

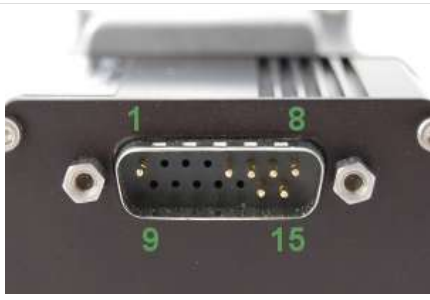

See the Zaber controller user manual for more details on peripheral activation and control.

### Connectors

Recommended controller(s) for your RST240 peripheral are provided in the product specifications. Zaber's controllers and peripherals are designed for ease of use when used together. Optimal settings for each peripheral are automatically detected by Zaber's controllers when the device is connected.

For reference, the pinout for the peripheral cable connectors is shown below:

#### Pinout for D-sub 15 Connectors (peripherals)

T3A Peripheral (male)	
T4A Peripheral (male)	

Pin #	Function
-------	----------

1	+5V for Limits & Encoder
2	AutoDetect Data
3	<i>reserved</i>
4	Away Sensor
5	Home Sensor
6	Ground
7	Motor B1
8	Motor A1
9	AutoDetect Clock
10	Encoder A
11	Encoder B
12	Encoder Index
13	Ground
14	Motor B2
15	Motor A2

*Not all pins are used for all models*

## Alternate Controllers

The RST240 can be controlled by any 2-phase stepper motor controller with limit sensor input. **We do not recommend using your own controller unless you are familiar with how to control a stepper motor with hall sensor limit switches.** Damage to the device due to incorrect wiring is not covered by warranty.

## Motors

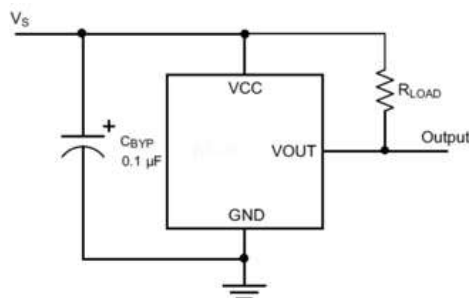
For motor information see the [RST240 product page](#)

## Limit Sensors

Hall effect sensors are used in the RST240 as home sensors. The Hall sensors used are part number A1120LLHLT-T made by Allegro. [Click here for data sheet](#). Your controller should be configured so the stage stops immediately (quick deceleration) when the sensors are triggered.

- PCB wire colour code:
  - 5 Vdc input - red
  - Home signal - yellow
  - Away signal - white
  - Ground - black

The Hall sensor has an open-collector output. The default output is high impedance when the Hall sensor is not active. When the sensor detects a magnet, the Hall sensor pulls the output low to ground.



If you are not using a Zaber controller, ensure that your controller has a pull-up resistor on the output line of each Hall sensor as shown in the diagram. The bypass capacitor is optional, but may help to eliminate false triggering in noisy environments. The typical value for the pull-up resistor ( $R_{LOAD}$ ) is 10 k $\Omega$  and for the bypass capacitor is 0.1  $\mu$ F to 1  $\mu$ F. The larger the capacitance, the better the noise filtering but the slower the response time.

# Installation

## Mounting

Secure the RST240 with 4 M8 (or 5/16"-18) socket cap screws, 40 mm or longer, by the 5x M8 mounting holes on the bottom flanges of the stage. There are also M6 threaded holes on the side of the stage available for mounting purposes. See the [RST240 web page](#) for dimensions, technical specifications and other details.

## Maintenance

RST240 devices use precision worm gears for rotary motion. To insure long service life and the highest performance, it is necessary to keep the worm gear mesh lubricated.

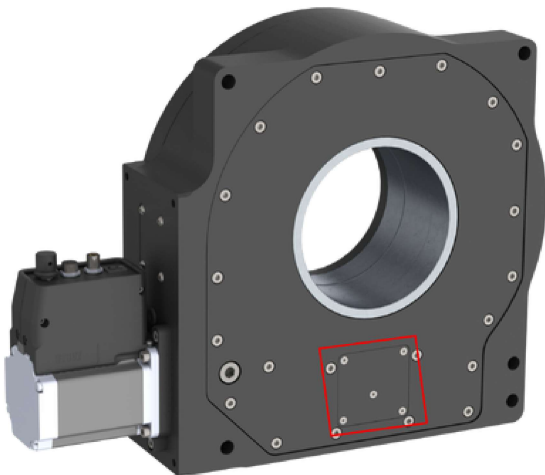
The worm gear should be re-greased after the first 200 hours of operation and every 1000 hours of operation thereafter. Many factors affect the re-lubrication interval including temperature, contamination, and load. Inspect device for noise or vibration and re-lubricate based on inspection results. At high torque loads, the re-lubrication interval will be shortened, inspect the device more frequently depending on application.

## Lubrication

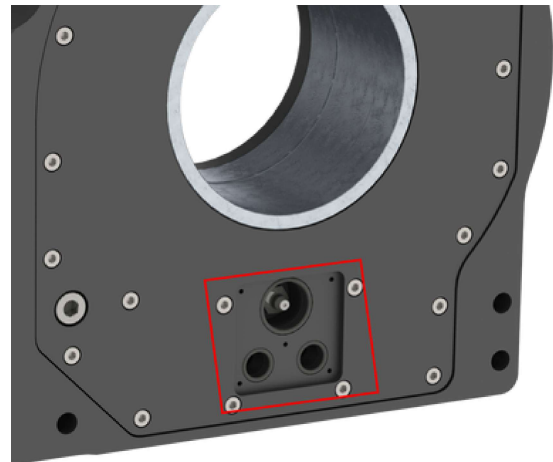
Temporarily remove power to the device before attempting to lubricate. **Remove** any payloads from the device stage top if they pose **tipping, crushing, pinching and/or other hazards**.

Slowly rotate stage (<5 RPM) while adding 7.5 cc's of lubricant into the grease fitting. The stage should complete a full revolution before all 7.5 cc's of lubricant are added. It is recommended to rotate the stage 10 revolutions clockwise and counterclockwise to distribute the grease. Grease with DuPont Molykote® G-4700 or similar viscosity synthetic NLGI Grade 2 lithium thickened grease with solid lubricants. All devices come pre-lubricated and are ready to go out of the box.

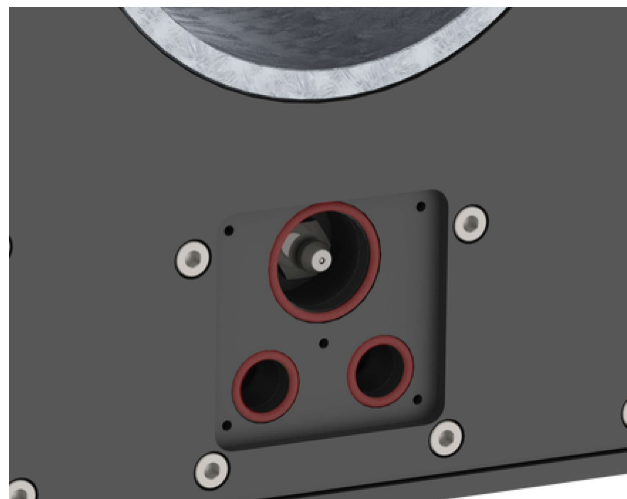
If RST240 devices are used in applications where only a small angular portion of the rotational travel range is used, occasionally rotate the stage throughout its full travel to maintain an even lubrication film over the entire worm gear and redistribute the lubrication in the bearings.



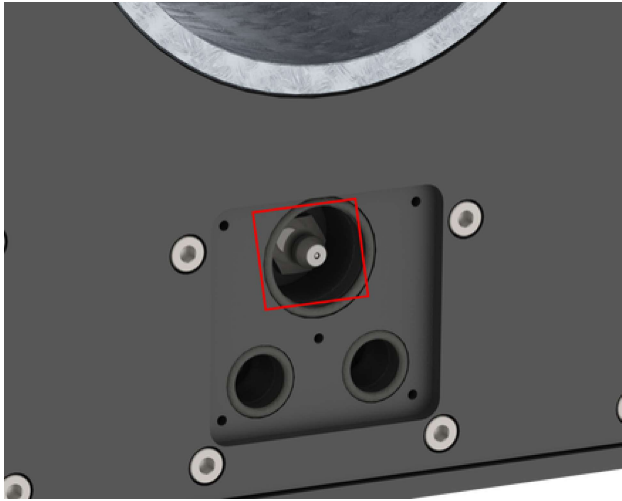
1. Locate the grease fitting cover on the bottom of the device.



2. Remove the 5x M2.5 screws. Lift the cover plate out with a dull flat bladed tool.



3. Leave the 3x o-rings in place.



4. Wipe fitting clean. Add new lubricant through the grease fitting, wipe off excess. Reinstall the cover plate removed in step 2 with the 5x M2.5 screws.

### Lubrication Precautions

The seals in the device can be damaged with excessive lubrication pressure levels or lubricant quantities. Slowly add lubricant to avoid over pressurizing internal cavity. Damage can be caused by using the wrong grease.

## Trajectory Control and Behaviour

This section describes the behaviour of the axis trajectory when a movement command is issued.

### Software Position Limits

The travel range of the axis is limited by the Minimum Position and Maximum Position settings. The factory settings for the axis are configured to match the physical travel range. If a customized range is desired, it can be changed by configuring the [limit.min \(T:106\)](#) and [limit.max \(T:44\)](#) settings to appropriate values. For the Current Position, query [pos \(T:60\)](#).

#### Minimum Position

When the Current Position is less than the Minimum Position value, the axis cannot move in the negative direction (towards the motor).

#### Maximum Position

When the Current Position is greater than the Maximum Position value, the axis cannot move in the positive direction (away from the motor).

### Movement Speed

The movement speed of the axis depends on axis status and various speed settings. If the axis has not been initialized by the [home \(T:1\)](#) command or by moving towards the home end of the axis, movement speed will be constrained to fail-safe values. The home status of the axis can be determined by reading the [limit.home.triggered \(T:53:103\)](#) setting.

Movement speed of the axis is specified below:

#### [move vel \(T:22\)](#)

The axis will move at the specified speed regardless of home status.

#### Knob movement in Velocity Mode

The axis will move at the specified speed regardless of home status.

The speed is specified by the [knob.speedprofile \(T:112\)](#) and [knob.maxspeed \(T:111\)](#) settings.

#### Other movement commands - when the axis has not been homed

The axis will move at the slower of the [maxspeed \(T:42\)](#) and [limit.approach.maxspeed \(T:41\)](#) settings.

#### Other movement commands - when the axis has been homed

The axis will move at the speed specified by the [maxspeed \(T:42\)](#) setting.

## Warranty and Repair

For Zaber's policies on warranty and repair, please refer to the [Ordering Policies](#).

## Standard products

Standard products are any part numbers that do not contain the suffix ENG followed by a 4 digit number. Most, but not all, standard products are listed for sale on our website. All standard Zaber products are backed by a one-month satisfaction guarantee. If you are not satisfied with your purchase, we will refund your payment minus any shipping charges. Goods must be in brand new saleable condition with no marks. Zaber products are guaranteed for one year. During this period Zaber will repair any products with faults due to manufacturing defects, free of charge.

## Custom products

Custom products are any part numbers containing the suffix ENG followed by a 4 digit number. Each of these products has been designed for a custom application for a particular customer. Custom products are guaranteed for one year, unless explicitly stated otherwise. During this period Zaber will repair any products with faults due to manufacturing defects, free of charge.

## How to return products

Customers with devices in need of return or repair should contact Zaber to obtain an RMA form which must be filled out and sent back to us to receive an RMA number. The RMA form contains instructions for packing and returning the device. The specified RMA number must be included on the shipment to ensure timely processing.

## Email Updates

If you would like to receive our periodic email newsletter including product updates and promotions.

## Contact Information

Contact Zaber Technologies Inc by any of the following methods:

<b>Phone</b>	1-604-569-3780 (direct) 1-888-276-8033 (toll free in North America)
<b>Fax</b>	1-604-648-8033
<b>Mail</b>	#2 - 605 West Kent Ave. N., Vancouver, British Columbia, Canada, V6P 6T7
<b>Web</b>	<a href="http://www.zaber.com">www.zaber.com</a>
<b>Email</b>	Please visit our website for up to date email contact information.

The original instructions for this product are available at <https://www.zaber.com/manuals/RST240>.

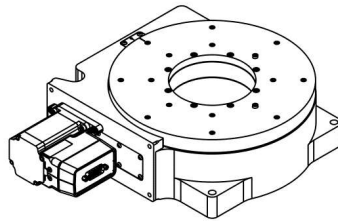
## Appendix A: Default Settings

Please see [the Zaber Support Page](#) for default settings for this device.

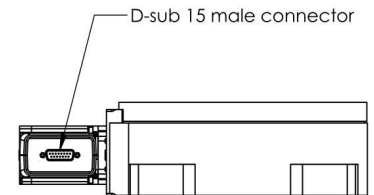
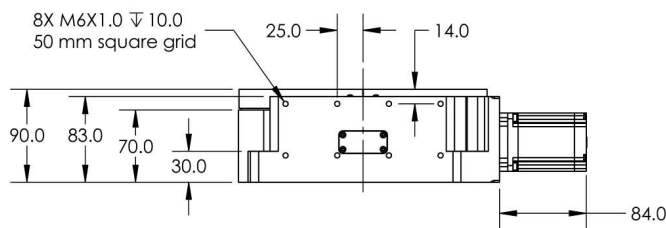
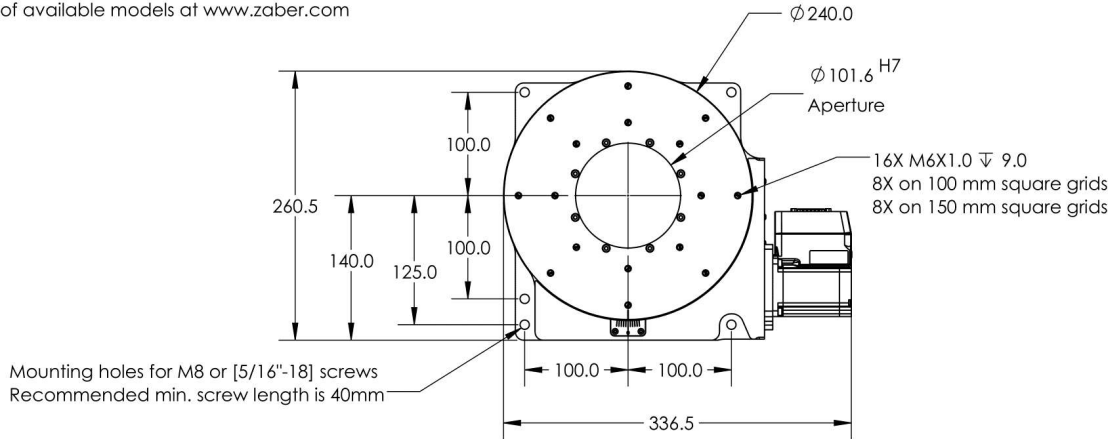
# Product Drawing

# ZABER

**RST240 Motorized Rotary Stage**  
dimensions in mm



\*See product page for complete list of available models at [www.zaber.com](http://www.zaber.com)



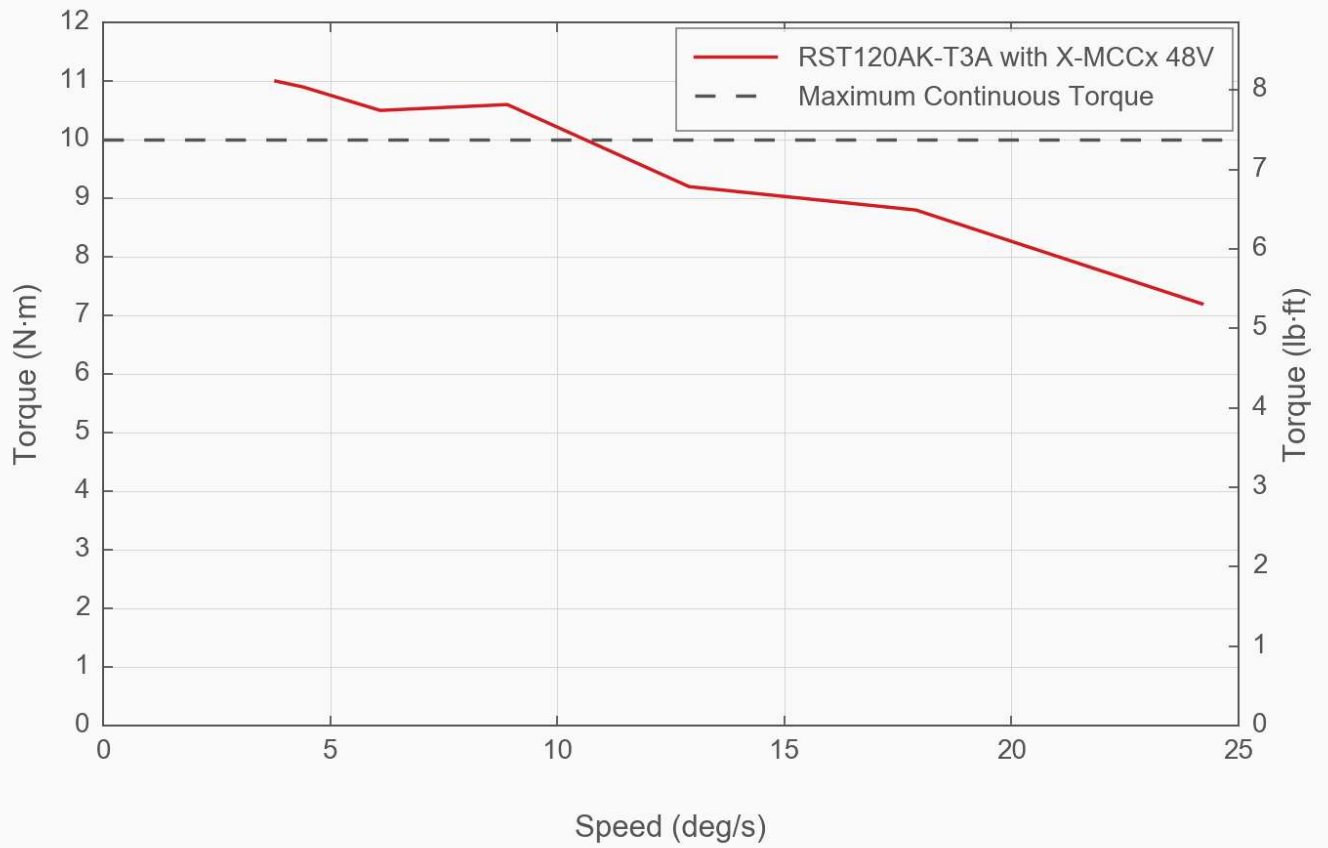
DWG 3726 R01

## Specifications

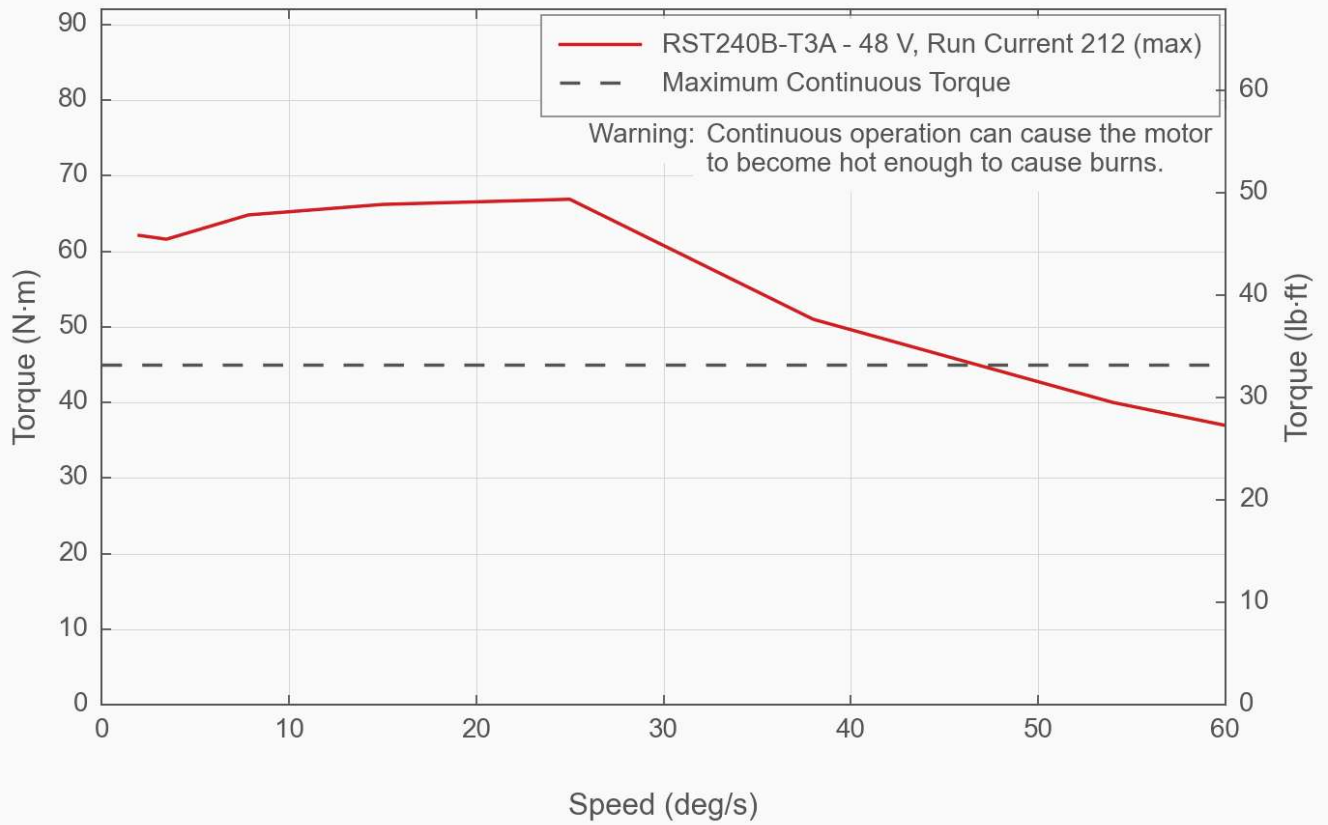
Specification	Value	Alternate Unit
Microstep Size (Default Resolution)	0.00027574°	4.812 $\mu$ rad
Built-in Controller	No	
Recommended Controller	X-MCC (48 V) Recommended	
AutoDetect	Yes	
Range	360°	
Accuracy (unidirectional)	0.075°	1.308750 mrad
Repeatability	< 0.0015°	< 0.026 mrad
Backlash	< 0.05°	< 0.873 mrad
Maximum Speed	60°/s	10 rpm
Minimum Speed	0.000168°/s	2.932 $\mu$ rad/s
Speed Resolution	0.000168°/s	2.932 $\mu$ rad/s
Encoder Type	None	
Maximum Torque	7000 N·cm	9912.8 oz·in
Maximum Continuous Torque	4500 N·cm	6372.5 oz·in
Maximum Centered Load	3000 N	672.8 lb
Maximum Moment (Transverse)	20000 N·cm	28322.4 oz·in
Stage Top Dimension	240 mm	9.449"

<b>Specification</b>	<b>Value</b>	<b>Alternate Unit</b>
Radial Error Motion	+/- 2.5 $\mu\text{m}$	+/- 0.000098"
Axial Error Motion	< 4 $\mu\text{m}$	< 0.000157"
Tilt Error Motion	+/- 0.003°	+/- 52.36 $\mu\text{rad}$
Bearing Plane Offset	30.75 mm	1.211"
Angular Motion Per Motor Rev	3.5294°	
Motor Steps Per Rev	200	
Motor Type	Stepper (2 phase)	
Motor Rated Current	3000 mA/phase	
Motor Winding Resistance	0.53 ohms/phase	
Inductance	2 mH/phase	
Motor Connection	D-sub 15	
Default Resolution	1/64 of a step	
Maximum Angular Momentum	1.6 $\text{kg}\cdot\text{m}^2/\text{s}$	
Motor Frame Size	23	
Guide Type	Crossed-Roller Bearing	
Mechanical Drive System	Precision Worm Gear	
Limit or Home Sensing	Magnetic home sensor	
Gear Ratio	102:1	
Mounting Interface	M6 threaded holes and M8 mounting holes	
Operating Temperature Range	0-50 °C	
CE Compliant	Yes	
Vacuum Compatible	No	
Weight	14.5 kg	31.967 lb

### Torque Speed Performance



## Torque Speed Performance



### Product Change Notices

Click [here](#) to view the current product change notices and subscribe to future change notifications.