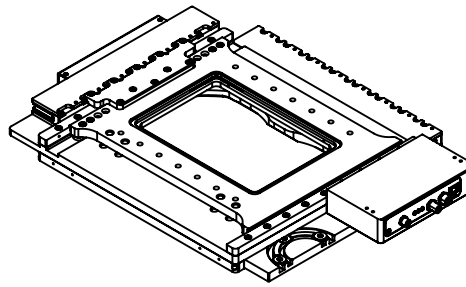
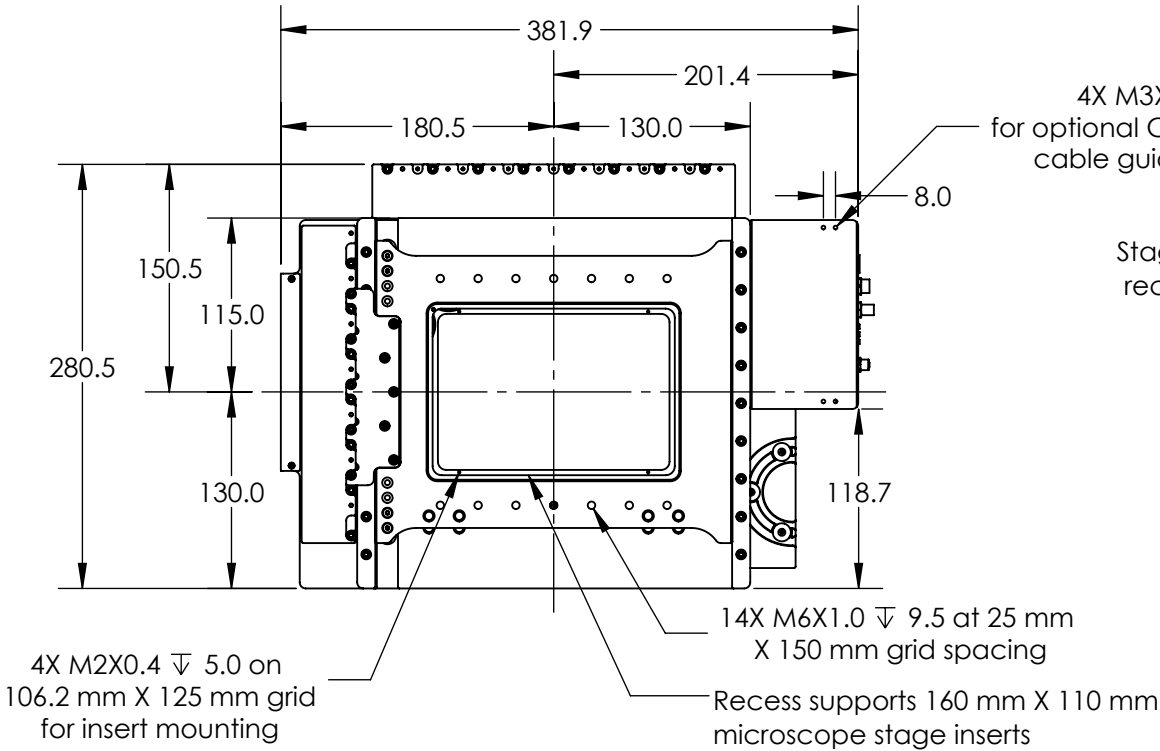


ZABER

X-ADR130B100B-SAE53D12
 Direct Drive XY Microscope Stage
 dimensions in mm



Adaptor plates required for most applications.
 See accessories page for details at www.zaber.com

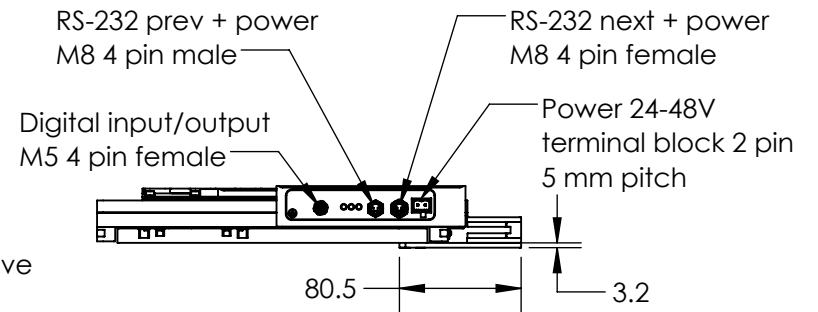
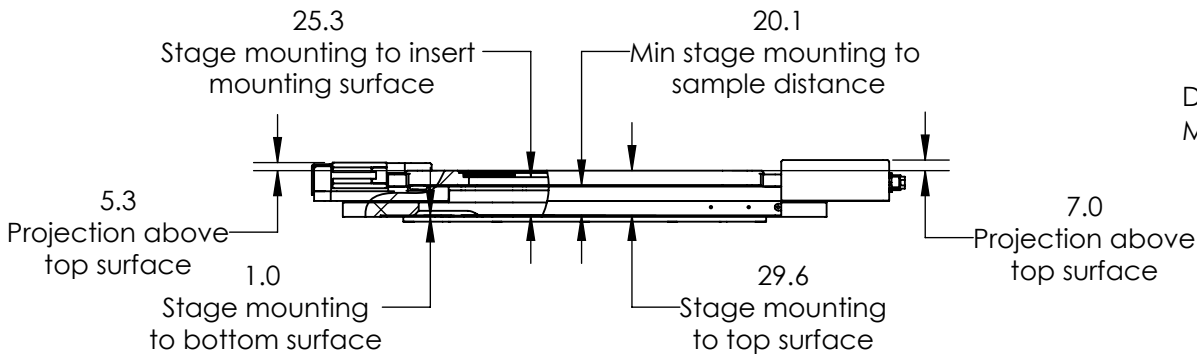
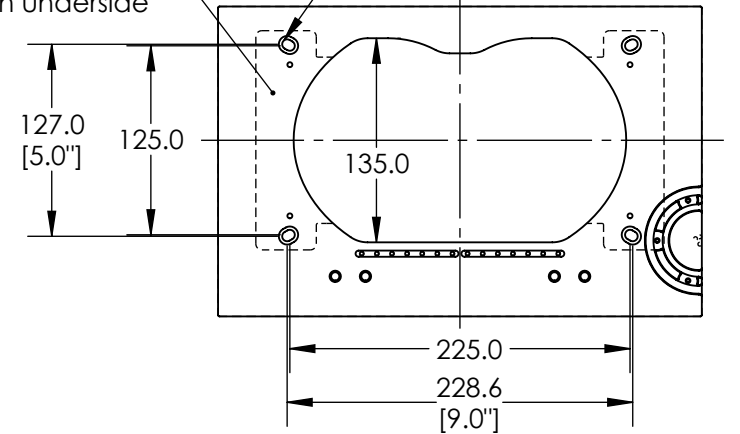


4X M3X0.5 ∇ 6.0
 for optional CG01T or CG02T
 cable guide mounting

Base-plate mounting features

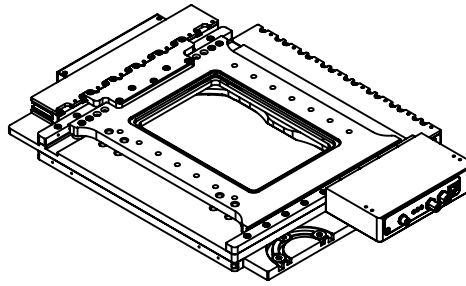
Stage mounting surface
 recessed on underside

4X Mounting holes for M6
 or [1/4"-20] screws.



ZABER

X-ADR130B100B-SAE53D12
Direct Drive XY Microscope Stage
dimensions in mm



Axis	Nominal Travel	Max Hard Stop Travel	Min Hard Stop Travel
Upper	100.0	105.0	55.0
Lower	130.0	140.0	40.0

Hard stop travel limits can be reduced in 5 mm increments (upper axis) and 10 mm increments (lower axis) for space constrained applications.

